

PT SERIES POST TOP

Client:
 Project:
 Type:
 Quantity:

CONSTRUCTION

Low copper aluminum alloy die-cast body.
 Modern appearance, low EPA wind load design. IK09 rated enclosure protects electrical equipment against external mechanical impacts. All external fasteners are stainless steel.
 EPA: 0.940

OPTICS

Molded silicone gasket throughout insures the sealing between the two compartments and provides ingress protection.
 Field interchangeable polycarbonate lens available with Type III, IV and V distribution. The optics can conform to dark sky requirements.
 Light engines are available in standard 3000K, 4000K and 5000K (80+ CRI) configurations.

ELECTRICAL

80+ CRI LED.
 -40°C up to 45°C* (-40°F up to 113°F) maximum operating temperature.
 70,000 hr LED at L70.
 50/60Hz, <20% THD, 0.9 power factor.
 Driver operates at 120-277V input, 1-10V dimmable driver, down to 10%.
 Dialable driver offers precise lumen output to meet project needs.
 Optional 347/480V input.

SENSORS (OPTIONAL)

SENSOR-PH-PB-U Integral button style photocell.
 SENSOR-PH-PT-U/UD/HD Twist lock dimming/non-dimming photocontrol.
 CONTROL-LVFA AVI-ON Bluetooth Mesh Controller.

MOUNTING

Suitable for 2-3/8" tenon top.
 Optional for 3", 4" and 5" tenon adapter

STANDARD FINISH

Corrosion resistant Dark Bronze powder coating finish.

CUSTOM FINISH

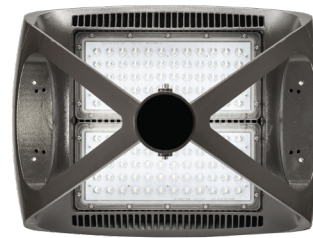
Corrosion resistant Black, Graphite Metallic, Gray, Silver, White, Custom RAL#.

CERTIFICATION

IP65 Wet location label standard.
 Meets Buy America Act requirements.
 IDA compliant: with 3000K color temperature selection.
 Title 24 compliant; see local ordinance for qualification information.
 All luminaires are built to UL1598 standards and bear appropriate cETLus labels.
 DLC® Premium (DesignLights Consortium Qualified).

WARRANTY

5 year warranty, see Limited Warranty for additional information.



SHIPPING DATA

Product	Measurement	Weight
PT-100	24"L x 24"W x 20"H	35 lb
PT-150	24"L x 24"W x 20"H	35 lb
PT-200	24"L x 24"W x 20"H	35 lb
PT-300	24"L x 24"W x 20"H	35 lb



PT SERIES POST TOP

ORDER INFORMATION **EXAMPLE : PT 100 40 5M DB UD**

Fixture	Series	Power & LM	CCT	Distribution	Finish	Input
	PT					

A SERIES

PT	Post Top Area Light
----	---------------------

B POWER & LM

Code	Power	LM
DW	Specify	Dialable driver output range between: 6000lm ~ 34500lm
100	100W	12000lm
150	150W	18000lm
200	200W	23000lm
300	300W	34500lm

C CCT

40	4000K
50	5000K

D DISTRIBUTION

3M	Type III Medium
5M	Type V Medium

E FINISH

Standard						
DB	Dark Bronze					
Custom Color						
CC	BK	Black	GM	Graphite Metallic	GR	Gray
	SV	Silver	WH	White	RAL#	

F INPUT

UD	110-277V, 1-10V Dimming
HD	347/480V, 1-10V Dimming

ORDER INFORMATION (CONTINUED)

Accessories
 Options

G MOUNTING

blank 2-3/8" Tenon Adapter

H ACCESSORIES/OPTIONS

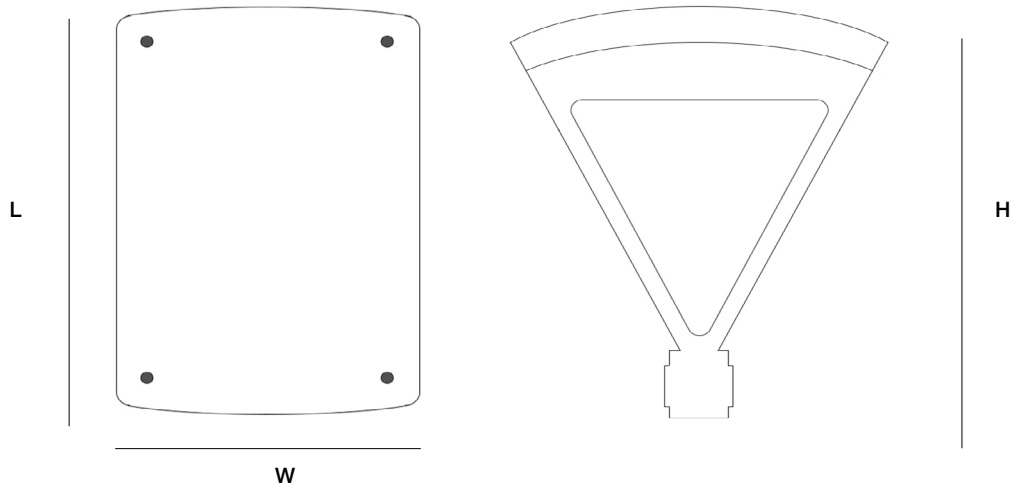
BAA	Assembled in America, compliant with BAA (COTS)
3000K	3000K CCT
FAD	Customized Output (Consult Factory)
SENSOR-PH-PB-U*	Button Style Photocell
SENSOR-PH-PT-U / UD / HD*	Twist Lock Photocell / U: 120-277V, UD: 120-277V, HD: 480V input
MOUNT-3SQR-SP-D	3" Tenon Adapter for Round Pole
MOUNT-4SQR-SP-D	4" Tenon Adapter for Round Pole
MOUNT-5SQR-SP-D	5" Tenon Adapter for Round Pole
MOUNT-4SQ-SP-D	4" Tenon Adapter for Square Pole
MOUNT-5SQ-SP-D	5" Tenon Adapter for Square Pole
SURGE-LSP4-U / H	10kV inline Surge Protection for Universal input / U: 120-277V, H: 480V input
CONTROL-LVFA*	AVI-ON Bluetooth Mesh Control System

*see page 6 for sensor spec

PT SERIES POST TOP

DIMENSIONS

Model	L	W	H
PT-100 / 150 / 200 / 300	22" (558mm)	15.75" (400mm)	22" (558mm)



PT SERIES POST TOP

PERFORMANCE DATA

SYSTEM WATTS	VOLTAGE	DIST.TYPE	3000K					4000K					5000K					QTY ON PALLET
			LUMENS	B	U	G	LPW	LUMENS	B	U	G	LPW	LUMENS	B	U	G	LPW	
100W	110-277V	III	12800	3	0	1	128	13300	3	0	1	133	13600	3	0	1	136	16
	110-277V	V	12800	3	0	1	128	13300	3	0	1	133	13600	3	0	1	136	16
150W	110-277V	III	19050	4	0	3	127	19800	4	0	3	132	20250	4	0	3	135	16
	110-277V	V	19050	4	0	1	127	19800	4	0	1	132	20250	4	0	1	135	16
200W	110-277V	III	25400	5	0	3	127	26400	5	0	3	132	27000	5	0	3	135	16
	110-277V	V	25400	5	0	1	127	26400	5	0	1	132	27000	5	0	1	135	16
300W	110-277V	III	37800	5	0	3	126	39300	5	0	3	131	40200	5	0	3	134	16
	110-277V	V	37800	5	0	2	126	39300	5	0	2	131	40200	5	0	2	134	16

DLC CODE

Part Number	DLC Part Number	DLC Class
PT - 100 30 3M - XX U	OEM: YR-TP500-W100-P-Y3(3000K)	Standard
PT - 100 40 3M - XX U	OEM: YR-TP500-W100-NP-Y3(4000K)	Standard
PT - 100 50 3M - XX U	OEM: YR-TP500-W100-NP-Y3(5000K)	Standard
PT - 150 30 3M - XX U	OEM: YR-TP500-W150-[NP;P]-Y3(3000K)	Premium
PT - 150 40 3M - XX U	OEM: YR-TP500-W150-[NP;P]-Y3(4000K)	Premium
PT - 150 50 3M - XX U	OEM: YR-TP500-W150-[NP;P]-Y3(5000K)	Premium
PT - 200 30 3M - XX U	OEM: YR-TP500-W200-[NP;P]-Y3(3000K)[B;D;W]	Premium
PT - 200 40 3M - XX U	OEM: YR-TP500-W200-[NP;P]-Y3(4000K)[B;D;W]	Premium
PT - 200 50 3M - XX U	OEM: YR-TP500-W200-[NP;P]-Y3(5000K)[B;D;W]	Premium
PT - 300 30 3M - XX U	OEM: YR-TP500-W300-[NP;P]-Y3(3000K)[B;D;W]	Premium
PT - 300 40 3M - XX U	OEM: YR-TP500-W300-[NP;P]-Y3(4000K)[B;D;W]	Premium
PT - 300 50 3M - XX U	OEM: YR-TP500-W300-[NP;P]-Y3(5000K)[B;D;W]	Premium

PT SERIES POST TOP

SENSOR SPEC

Model	Type	Mounting	Coverage	Input	Function	Programmable
SENSOR-PH-PB-U	-	-	-	Universal	Dusk-to-Dawn Control	-
SENSOR-PH-PT-U				Universal		
SENSOR-PH-PT-UD				277 ~ 480V	Dusk-to-Dawn Control	-
SENSOR-PH-PT-HD	-	-	-			
CONTROL-LVFA (see page 7 for detail)	Fixture Controller	-	-	12V DC	Bluetooth Mesh On/Off/Dimming Scheduling	AVI-ON Bluetooth Mobile App



SENSOR-PH-PB-U



SENSOR-PH-PT-U/H



SENSOR-PH-PT-HD



CONTROL-LVFA

CONTROL-LVFA SPEC

Status LEDs & Config Button

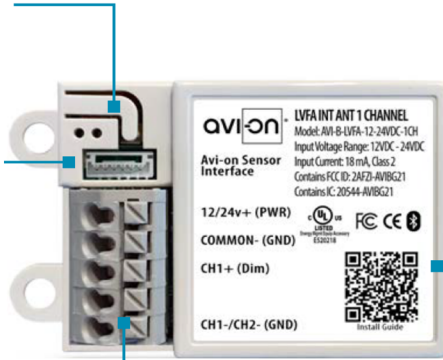
Quick and easy validation of wiring and network

Direct Connect™ Sensor Port

Simple and cost-effective addition to Avi-on sensors

Terminal Blocks & Mounting Tabs

Faster, easier and lower cost installation eliminating connectors



Internal Antenna

Improved performance and eliminates risk of accidentally cutting a hanging wire

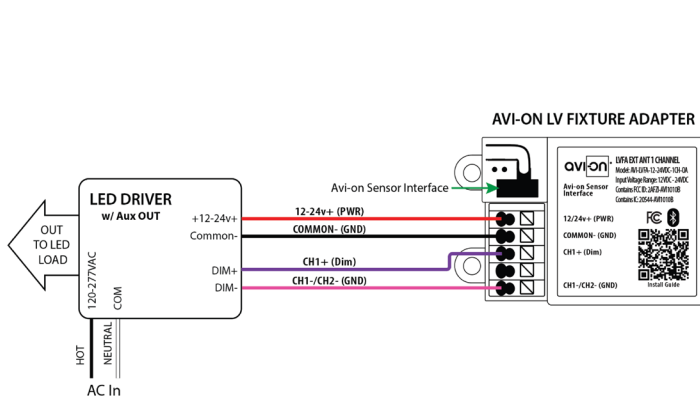
SPECIFICATIONS

INPUT VOLTAGE: 12-24VDC
CURRENT: 15mA without a Sensor
 19mA with a DC PIR Sensor
 48mA with a DC Microwave Sensor
0-10V DIMMING: 12-24VDC
SIZE: 2.30in x 1.43in x 0.75in
 (58.2mm x 36.4mm x 19mm)
MOUNTING: Removable mounting tabs
WEIGHT: 0.45 oz (16g)
OPERATING TEMP: -22°F to +158°F (-30°C to + 70°C)

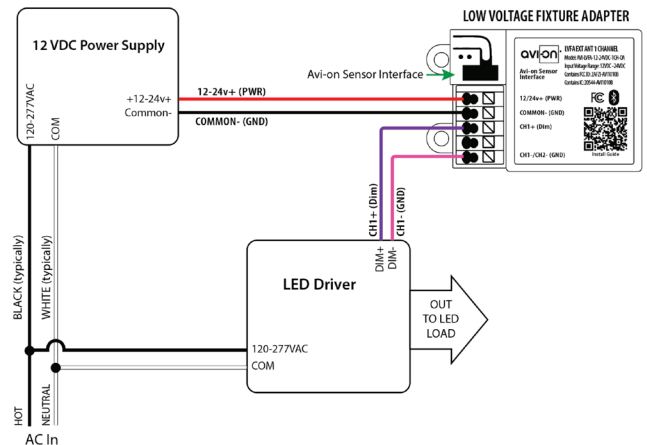
RADIO FREQUENCY: 2.4GHz
WIRELESS STANDARD: BLE 4.2 with Mesh
POINT TO POINT RANGE*: 80ft with obstructions
 350ft unobstructed
SECURITY: AES 128-bit encryption for device to device communication
 AES 256-bit encryption for device to cloud communication
WARRANTY: 5 years; 10 years optional
REGULATORY: FCC: 2AFZI-AVI1010 B
 IC: 20544-AVI1010 B
 BQB: D031801, DID: 86303
 UL 916, 2043 (Plenum Rated)

*When communicating through the mesh, range is essentially unlimited (5000ft+)

WIRING DIAGRAM



Fixture adapter powered by LED driver auxiliary output



Fixture adapter connected to LED driver and using power supply