



SMPS SERIES SURFACE MOUNT PANEL SQUARE

Client: _____
 Project: _____
 Type: _____
 Quantity: _____

CONSTRUCTION

Aluminum housing, available in 6", 8", and 11" aperture. Entire luminaire as heat dissipation system, designed for general illumination application for long life and service period.

OPTICS

Edgelit panel, durable PMMA lens, gasketed and sealed prevent splash of water or dust object from entry.

ELECTRICAL

Available in 80 or 90+ CRI LEDs.
 120V Input Triac or ELV dimming.
 CCT Selectable light engine 3000~5000K.
 Greater than 70% LED lumen maintenance at 50,000 hours.

MOUNTING

New Construction: Surface Mount to standard depth 4" J-box.
 Retrofit: Torsion spring clips design to hold luminaire in 5~8" downlight housing.

CONTROL (OPTIONAL)

CONTROL-XFAC AVI-ON Bluetooth Zone Controller Adapter

STANDARD FINISH

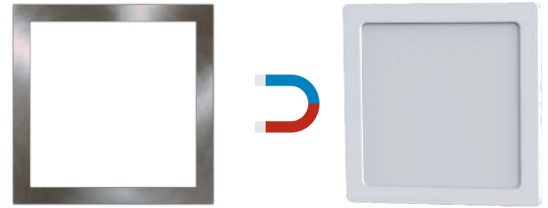
Corrosion resistant White finish.
 Magnetic decorative trims available in Satin Nickel, Black, and Chrome.

CERTIFICATION

Damp location listed.
 Meets Buy America Act requirements.
 All luminaires are built to UL1598 standards and bear appropriate cETLus labels.
 FCC Certified.
 Energy Star Certified.

WARRANTY

5 year warranty, see Limited Warranty for additional information.



Magnetic Trim

SHIPPING DATA

Product	Measurement
SMPS-6	7"L x 7"W x 2"H
SMPS-8	9"L x 9"W x 2"H
SMPS-11	12"L x 12"W x 2"H



SMPS SERIES SURFACE MOUNT PANEL SQUARE

ORDER INFORMATION **EXAMPLE : SMPS 6 SC WH S**

Fixture	Series	Model	CCT	Finish	Input
	SMPS		SC	WH	S
Accessories Options					

A SERIES

SMPS Surface Mount Panel Square

B MODEL

CODE	TRIM TYPE	POWER	LM
6	6-inch aperture	12W	840
8	8-inch aperture	18W	1350
11	11-inch aperture	24W	1800

C CCT

8SC	80 CRI Field Selectable 3000/4000/5000K
9SC	90 CRI Field Selectable 3000/4000/5000K

D FINISH

WH White finish

E INPUT

S 120V Input Triac / ELV Dimming

F ACCESSORIES/OPTIONS

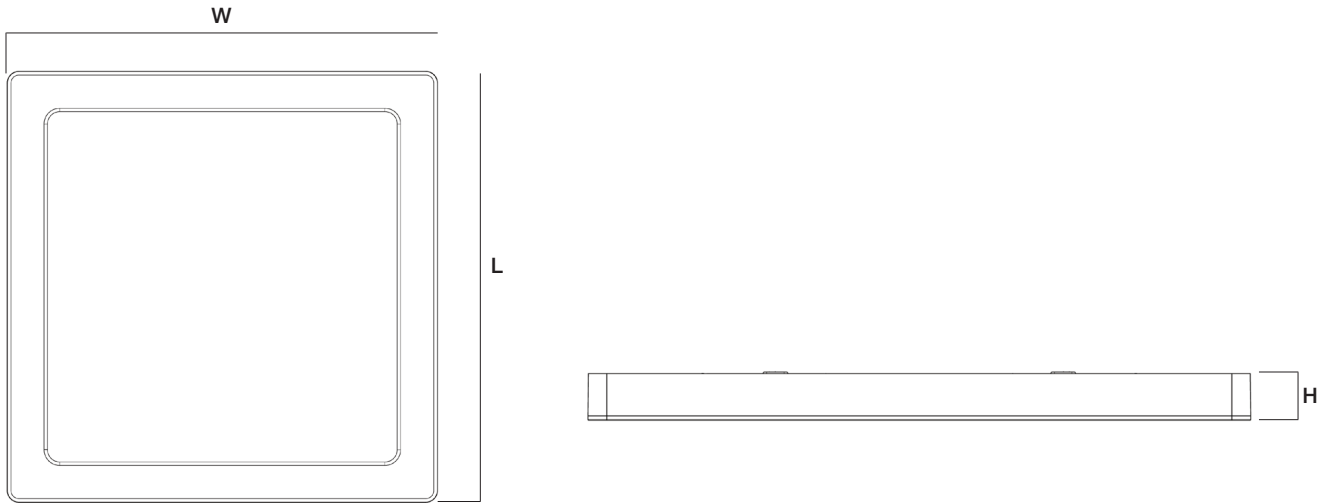
AIA	Assembled in America, compliant with BAA (COTS)
SMPS-TRIM-6- ____	SMPS-6 Magnetic Decorative Trim SN - Satin Nickel BK - Black CM - Chrome
SMPS-TRIM-8- ____	SMPS-8 Magnetic Decorative Trim SN - Satin Nickel BK - Black CM - Chrome
SMPS-TRIM-11- ____	SMPS-11 Magnetic Decorative Trim SN - Satin Nickel BK - Black CM - Chrome
CLIP-SMPS	Torsion spring clips design for retrofit to hold luminaire in 5", 6", 8" downlight housing.
CONTROL-XFAC*	AVI-ON Bluetooth Zone Controller Adapter

*see page 5 for sensor spec

SMPS SERIES SURFACE MOUNT PANEL SQUARE

DIMENSIONS

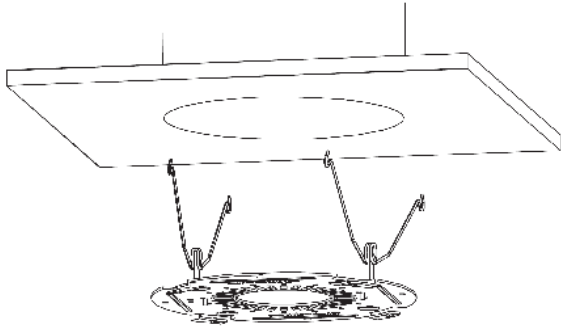
MODEL	W	L	H
SMPS-6	6.40" (162mm)	6.40" (162mm)	.60" (15mm)
SMPS-8	8.43" (214mm)	8.43" (214mm)	.60" (15mm)
SMPS-11	11.40" (289mm)	11.40" (289mm)	.60" (15mm)



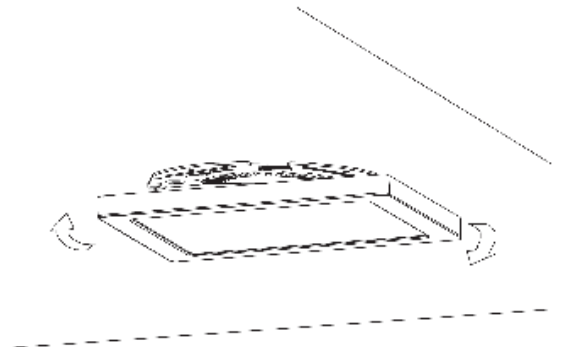
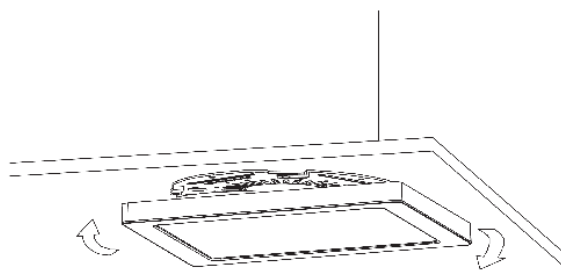
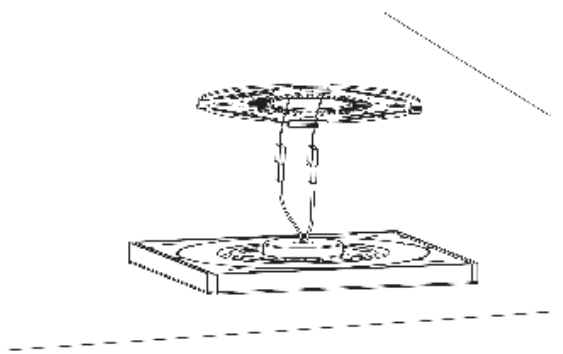
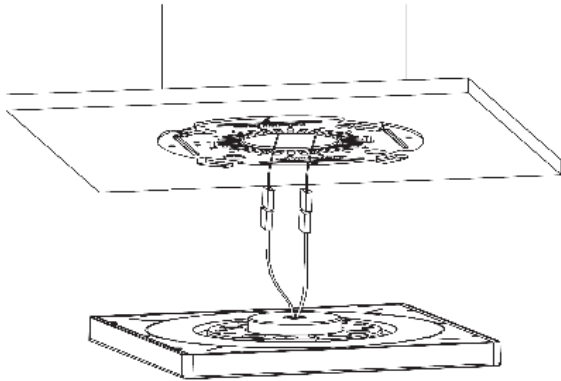
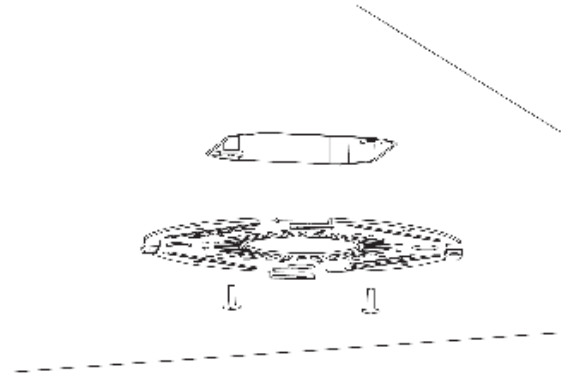
SMPS SERIES SURFACE MOUNT PANEL SQUARE

INSTALLATION

Retrofit



New Construction
(Standard)



SMPS SERIES SURFACE MOUNT PANEL SQUARE

SENSOR SPEC

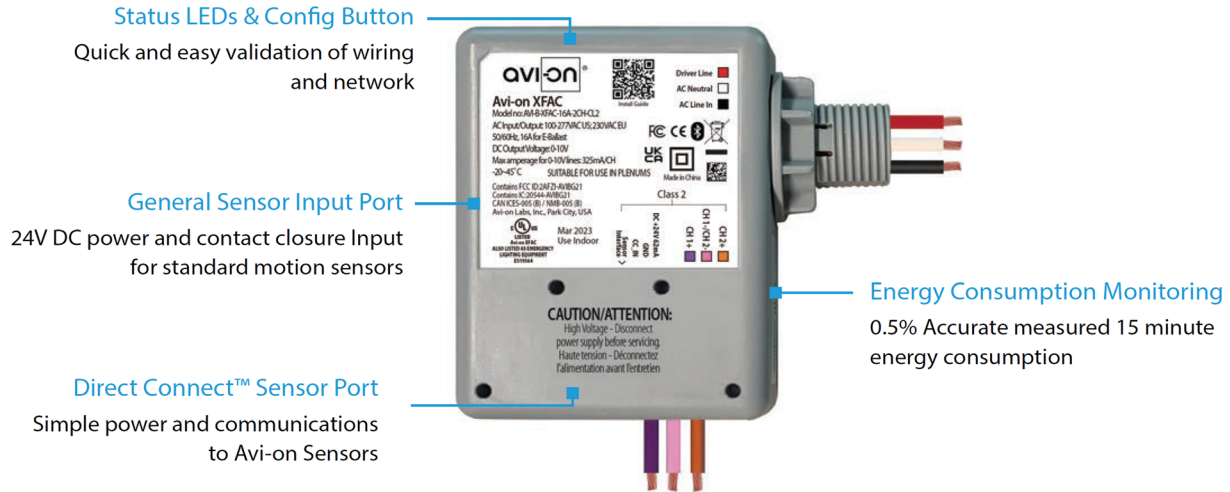
Model	Type	Mounting	Coverage	Input	Function	Programmable
CONTROL-XFAC (see page 6 for detail)	Fixture Controller	-	-	100-277VAC	Bluetooth On/Off/Dimming Scheduling	AVI-ON Bluetooth Mobile App



CONTROL-XFAC

SMPS SERIES SURFACE MOUNT PANEL SQUARE

CONTROL-XFAC SPEC



SPECIFICATIONS

INPUT VOLTAGE: 100-277VAC
CURRENT: MIN: 20 / 14mA
 MAX: 81 / 46mA

0-10V DIMMING: 100-277VAC
SIZE: 3.58" x 3.58" x 1.57"
 (91mm x 91mm x 40mm)
STORAGE TEMP: -40°F to + 185°F (-40°C to + 85°C)
OPERATING TEMP: -4°F to + 113°F (-20°C to + 45°C)

RADIO FREQUENCY: 50/60Hz
RELAY CURRENT: 16A
PROTECTION/IMMUNITY: LEVEL 4
 Contact Discharge: ± 8kV
 Air Discharge: ±12kV
AMPERAGE FOR 0-10V LINES: 325mA / CH
WARRANTY: 5 years
REGULATORY: FCC: 2AFZI-AVIBG21
 IC: 20544-AVBG21
 BQB: D059595, DID: 185220
 UL 924, 2043

WIRING DIAGRAM

