

## CONTRACTOR SERIES WALL PACK

Client:  
Project:  
Type:  
Quantity:

### CONSTRUCTION

Cast aluminum frame holds lens and seals to housing gasket with two stainless steel screws. Housing is completely sealed against moisture and environmental contaminants. Heat dissipating fins provide superior thermal performance extending the life of the luminaire.

### OPTICS

Full polycarbonate UV resistant front lens provides uniform distribution and glare control. CCT selectable between 3000K ~ 5000K (80 CRI) configuration settings.



### ELECTRICAL

80+ CRI Lumileds LED.

-40°C up to 40°C (-40°F up to 104°F) maximum operating temperature.

50,000hr LED at L70 @ 25°C.

Available with CCT / Output Selectable Function.

CSW-90 model output selectable 30W / 50W / 70W / 90W.

CSW-120 model output selectable 50W / 80W / 100W / 120W.

Universal Input 120-277V, 0-10V dimming with 12V AUX output.

50/60Hz, <20% THD, 0.9 power factor.

Built-In Photocontrol as standard.

Optional 10kV Surge Protection.

### MOUNTING

Wall mount over electrical box or via surface conduit.

### STANDARD FINISH

Corrosion resistant Dark Bronze powder coating finish.

### CERTIFICATION

Wet Location listed.

All luminaires are built to UL1598 standards and bear appropriate cULus labels.

For Emergency application, equipped with UL924 certified battery packs.

DLC® Premium (DesignLights Consortium Qualified) listed.

### WARRANTY

5 year warranty, see Limited Warranty for additional information.



**CONTRACTOR SERIES WALL PACK**

ORDER INFORMATION					EXAMPLE: CSW 90 SC DB UD-P
Fixture	Series	Power & LM	CCT	Finish	Input
	<b>CSW</b>		<b>SC</b>	<b>DB</b>	<b>UD-P</b>
Accessories					
Options					

**A SERIES**

CSW Contractor Series - Wall Pack

**B POWER & LM**

Code	Power	LM
90	Field Selectable 30W / 50W / 70W / 90W	4,800lm ~ 12,500lm
120	Field Selectable 50W / 80W / 100W / 120W	8,000lm ~ 16,500lm

**C CCT**

SC Field Selectable CCT 3000K / 4000K / 5000K

**D FINISH**

DB Dark Bronze

**E INPUT**

UD-P 120-277V, 0-10 Dimming with Built-in Photocell

**F ACCESSORIES/OPTIONS**

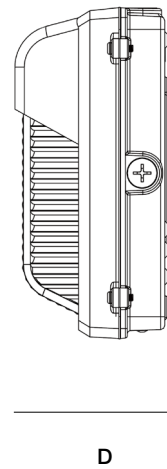
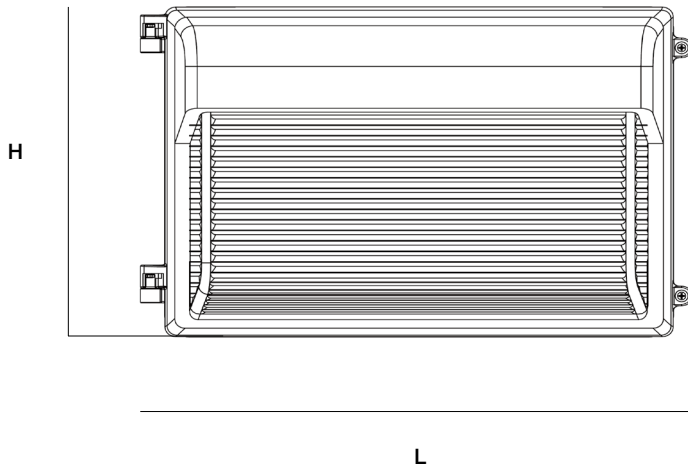
<b>SURGE-LSP4-U</b>	10kV Inline Surge Protection for Universal Input / <b>U:</b> 120-277V
<b>EMB-8W-B**</b>	High Voltage Output Smart Emergency Battery 8W 100-347VAC Input 170VDC
<b>EMB-18W-C-B*</b>	18W Integral Self-Diagnostic Cold Weather Emergency Battery, Operating Temp -20°C ~ 50°C

\*\*see page 4 for emb spec

**CONTRACTOR SERIES WALL PACK**

**DIMENSIONS**

Model	H	L	D
CSW-90	9.25" (235mm)	14.20" (361mm)	4.43" (112mm)
CSW-120	9.70" (248mm)	17.99" (457mm)	4.5" (114mm)



**CONTRACTOR SERIES WALL PACK**

**PERFORMANCE DATA**

SYSTEM WATTS	VOLTAGE	3000K		4000K		5000K	
		LUMEN	LPW	LUMENS	LPW	LUMENS	LPW
CSW-90 (30W)	120-277V	4,800	160	5,000	165	4,900	162
CSW-90 (50W)	120-277V	7,500	150	7,800	155	7,600	152
CSW-90 (70W)	120-277V	9,800	140	10,200	145	9,900	142
CSW-90 (90W)	120-277V	12,000	133	12,500	139	12,200	136
CSW-120 (50W)	120-277V	8,000	160	8,500	170	8,200	164
CSW-120 (80W)	120-277V	12,000	150	12,500	156	12,200	153
CSW-120 (100W)	120-277V	14,000	140	14,500	145	14,200	142
CSW-120 (120W)	120-277V	16,000	133	16,500	138	16,200	135

**EMB SPEC**

Model	Battery Capacity	Input	Output	Output Power	Operating Temp	Installation
EMB-8W-B	90mins	100-347VAC	170VDC	8W	0°C ~ 50°C 32°F ~ 122°F	Factory or Field Install
EMB-18W-C-B	90mins	100-347VAC	170VDC	18W	-20°C ~ 50°C -4°F ~ 122°F	Factory or Field Install

