

PTL SERIES DECORATIVE POST TOP

Client:
 Project:
 Type:
 Quantity:

CONSTRUCTION

HOUSING + COVER: Hinged die-cast aluminum housing and cover with cupola.
 EPA: 2.015

OPTICS

Injection-molded polycarbonated optic lens available with Type III and V distribution.
 Frosted temper glass allows clarity and resistance to the gradual discoloration that results from exposure to sunlight.

ELECTRICAL

80+ CRI Lumileds available for 5000K CCT.
 Optional CCT Selectable model available - see Ordering Information.
 -40°C up to 45°C* (-40°F up to 113°F) maximum operating temperature.
 L70 @ 105C > 60,000hrs | L70 @ 40C >200,000hrs.
 50/60Hz, <20% THD, 0.9 power factor.
 Driver operates at 120-277V input, 0-10V dimmable driver.
 Optional 10kV surge protection.
 Optional 347/480V input.

SENSOR (OPTIONAL)

SENSOR-PH-PT-U/H Twist lock dimming/non-dimming photocontrol.

MOUNTING

Self-aligning pole-top fitter fits 2-3/8" O.D. pole tops or vertical tenons.
 Optional 3", 4" and 5" tenon adapter.

STANDARD FINISH

Corrosion resistant Black powder coating finish.

CUSTOM FINISH

Corrosion resistant Dark Bronze, Graphite Metallic, Gray, Silver, White, Custom RAL#

CERTIFICATION

IP65 Wet location label standard.
 Meets Buy America Act requirements.
 IDA compliant: with 3000K color temperature selection.
 All luminaires are built to UL1598 standards and bear appropriate cETLus labels.
 DLC® (DesignLights Consortium Qualified).

WARRANTY

5 year warranty, see Limited Warranty for additional information.



PTL w/Optional Twist Lock Photocell



SHIPPING DATA

Product	Measurement	Weight
PTL-30	16"L x 16"W x 20"H	27 lb
PTL-60	16"L x 16"W x 20"H	28 lb
PTL-120	16"L x 16"W x 20"H	30 lb



PTL SERIES DECORATIVE POST TOP

ORDER INFORMATION **EXAMPLE: PTL 60 SC T5 SF3 BK UD**

Fixture	Series	Power & LM	CCT	Distribution	Mounting	Finish	Input
	PTL			5M	SF3		UD

Accessories
Options

A SERIES

PTL Decorative Post Top

B POWER & LM

Code	Power	LM
120	120W	13,800

B POWER & LM

Code	Power	LM
30	30W	3,300
60	60W	6,600

C CCT

40	4000K
50	5000K

C CCT

SC Selectable 3000K ~ 5000K

D DISTRIBUTION

3M	Type III Medium
5M	Type V Medium

E MOUNTING

SF3 Self-aligning pole-top fitter fits 2-3/8" ~ 3" O.D.

F FINISH

Standard	
BK	Black

G INPUT

UD	110-277V, 0-10V Dimmable	H	347V, 480V
----	--------------------------	---	------------

H ACCESSORIES/OPTIONS

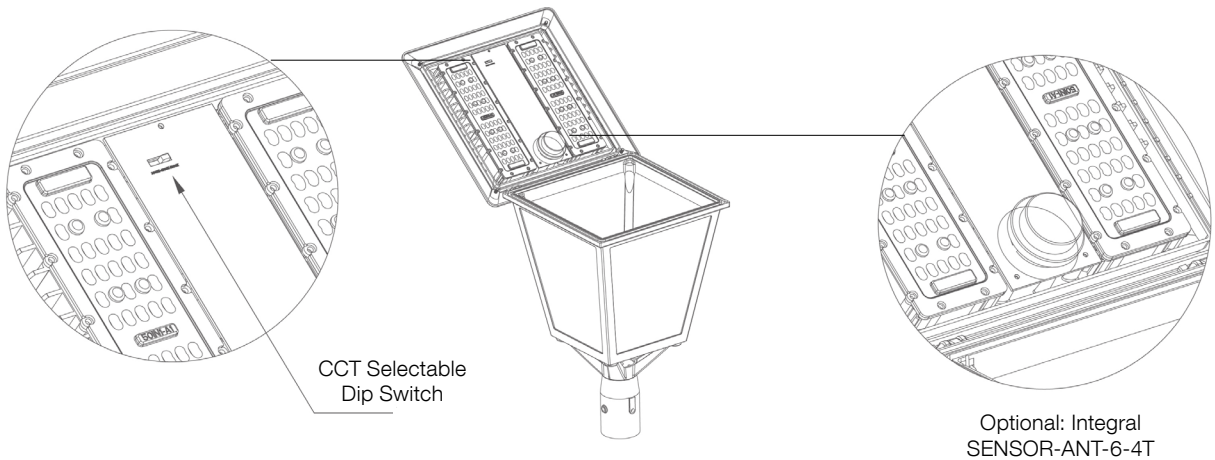
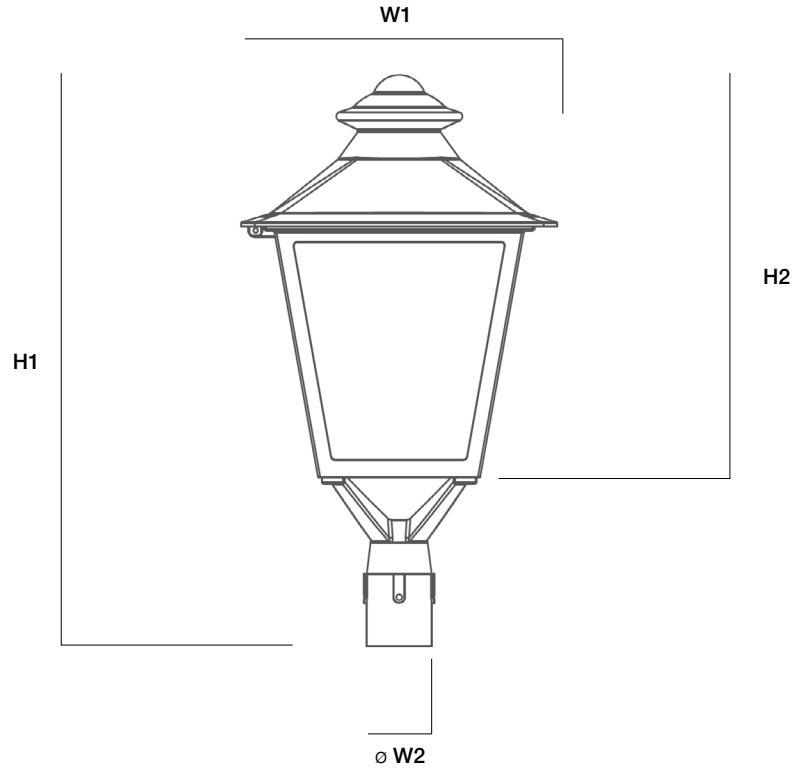
AIA	Assembled in America, compliant with BAA (COTS)
SENSOR-PH-PT-U / UD / HD*	Twist Lock Photocell / U: 120-277V, UD: 120-277V, HD: 480V input
SURGE-LSP4-U / H	10kV inline Surge Protection for Universal input / U: 120-277V, H: 480V input
MOUNT-4SQR-SP-D	4" Tenon Adapter for Round Pole
MOUNT-5SQR-SP-D	5" Tenon Adapter for Round Pole
MOUNT-4SQ-SP-D	4" Tenon Adapter for Square Pole
MOUNT-5SQ-SP-D	5" Tenon Adapter for Square Pole

*see page 5 for sensor spec

PTL SERIES DECORATIVE POST TOP

DIMENSIONS

Model	H1	H2	W1	W2
PTL-30 / 60 / 120	24.90" (643mm)	17.55" (445mm)	13.78" (350mm)	ø 3.18" I.D. (76mm)



PTL SERIES DECORATIVE POST TOP

PERFORMANCE DATA

SYSTEM WATTS	VOLTAGE	DIST. TYPE	3000K		4000K / 5000K	
			LUMENS	LPW	LUMENS	LPW
30W	120-277V	V	3150	105	3300	110
60W	120-277V	V	6300	105	6660	111
120W	120-277V	V	-	-	13800	115

DLC CODE

Part Number	DLC Product ID	DLC Class
PTL-30 SC XX SF3 XX UNVD @ 3000K	OEM SKU# YR-TP350-W30-[P1;P2;M;PM;PN]-C3-[Z1;Z2](3000K) DLC Code: PX1SNM9O	Standard
PTL-30 SC XX SF3 XX UNVD @ 4000K	OEM SKU# YR-TP350-W30-[P1;P2;M;PM;PN]-C3-[Z1;Z2](4000K) DLC Code: P0HABEIP	Standard
PTL-30 SC XX SF3 XX UNVD @ 5000K	OEM SKU# YR-TP350-W30-[P1;P2;M;PM;PN]-C3-[Z1;Z2](5000K) DLC Code: PCDUUTPD	Standard
PTL-60 SC XX SF3 XX UNVD @ 3000K	OEM SKU# YR-TP350-W60-[P1;P2;M;PM;PN]-C3-[Z1;Z2](3000K) DLC Code: PSD6ZU04	Standard
PTL-60 SC XX SF3 XX UNVD @ 4000K	OEM SKU# YR-TP350-W60-[P1;P2;M;PM;PN]-C3-[Z1;Z2](4000K) DLC Code: P9WBPGYC	Standard
PTL-60 SC XX SF3 XX UNVD @ 5000K	OEM SKU# YR-TP350-W60-[P1;P2;M;PM;PN]-C3-[Z1;Z2](5000K) DLC Code: PJVAT76K	Standard

PTL SERIES DECORATIVE POST TOP

SENSOR SPEC

Model	Type	Mounting	Coverage	Input	Function	Programmable
SENSOR-PH-PT-U				Universal 277 ~ 480V	Dusk-to-Dawn Control	-
SENSOR-PH-PT-UD						
SENSOR-PH-PT-HD	-	-	-			



SENSOR-PH-PT-U/UD SENSOR-PH-PT-HD