



## LPTW SERIES TUNABLE WHITE PANEL

Client:  
Project:  
Type:  
Quantity:

### CONSTRUCTION

Low profile extruded aluminum frame, all corners are rounded for safe handling. Multiple wiring extrances on driver enclosure for easy access. The backplate includes integral T-bar clips for installation into T-grid ceilings.

### OPTICS

Backlit design provides exceptional lighting distribution. Frosted PMMA lens offers edge to edge illumination without pixelation or bright spots.

### ELECTRICAL

80+ CRI Samsung LEDs, coupled with a high-efficiency driver, provide superior illumination for extended service life. Greater than 70% LED lumen maintenance at 50,000 hours (L70>50,000).

Tunable White from 2700K to 6500K CCT - use LEDs of multiple CCTs and may produce a perceptibly different shade of white from single-CCT products at the same CCT.

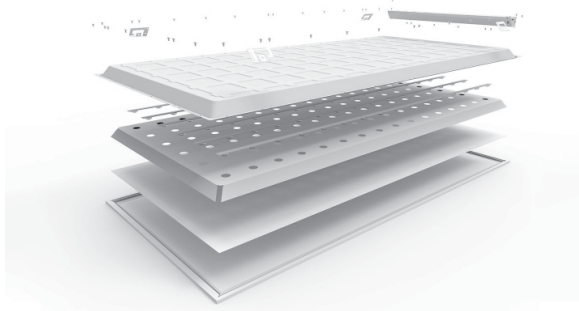
All CCTs are within 3 MacAdam ellipses.

Driver operates at 120-277V input, 0-10V dimmable, down to 10%. Separated wiring for dimming/on/off and CCT tuning via 2 separated 0-10V controller.

Optional: Lutron PSQ02 T-Series Tunable White Driver (see pg 5 for detail)



LPTW-2



Backlit Construction

### MOUNTING

Designed to accommodate lay-in ceilings, Slot T, and T-bar suspension system for 5/8" and 3/8" width. Built-in earthquake clips come standard

Surface/cable mount applications, use surface/cable kit accessories.

Plaster or sheetrock installations, select flange kit.

Hard ceiling application, select hard ceiling kit.

### FINISH

90% minimum average reflective white polyester powder coat bonded to phosphate-free, multi-stage pretreated metal. All parts painted after fabrication to facilitate installation, increase efficiency, and inhibit corrosion.

### CERTIFICATION

Damp location label standard.

Meets Buy America Act requirements.

All luminaires are built to UL1598 standards and bear appropriate cULus labels.

For Emergency application, equipment with UL924 certified battery packs.

### WARRANTY

5 year warranty, see Limited Warranty for additional information.



**LPTW SERIES TUNABLE WHITE PANEL**

ORDER INFORMATION				EXAMPLE: LPTW 2 BACKLIT
Fixture	Series	Model	Finish	Input
	LPTW		WH	UD
Mounting				Accessories Options

**A SERIES**

LPTW 0-10V Tunable White LED Flat Panel

**B MODEL**

Code	Size	Power	CCT
1-BACKLIT	1x4	40W	Tunable White 2700K - 6500K
2-BACKLIT	2x2	40W	Tunable White 2700K - 6500K
4-BACKLIT	2x4	50W	Tunable White 2700K - 6500K

**C FINISH**

blank White

**D INPUT**

blank 120-277V Input 0-10V Dimmable (100%-10%) - Driver with 2 set of leads for Dimming/On/Off and CCT Tuning

**E MOUNTING**

blank	Standard lay-in
MOUNT-LP-14-FGK	1x4 Flange Kit (Plaster, Sheetrock or Drywall)
MOUNT-LP-14-SMK	1X4 Surface Mount Kit for Edgelit LPTW
MOUNT-LP-22-FGK	2x2 Flange Kit (Plaster, Sheetrock or Drywall)
MOUNT-LP-24-FGK	2x4 Flange Kit (Plaster, Sheetrock or Drywall)
MOUNT-LP-22-HCK	2x2 Hard Ceiling Kit (Hard Ceiling)
MOUNT-LP-22-SMK	2x2 Surface Mount Kit for Edgelit LPTW
MOUNT-LP-24-SMK	2x4 Surface Mount Kit for Edgelit LPTW
MOUNT-LP-PMK	Aircraft Cable Pendant Mount

**F ACCESSORIES/OPTIONS**

AIA	Assembled in America, compliant with BAA (COTS)
-C	6-Foot Flex
PSQ02U	Lutron T-Series 1% 2-channel tunable white driver (See pg 5)
EMB-H08170*	External EMB 8W (120-277V Input)
EMB-H18170*	External EMB 18W (120-277V Input)
GTD-ESRLUD**	Emergency Battery Generator Transfer Device 120-277 VAC Input

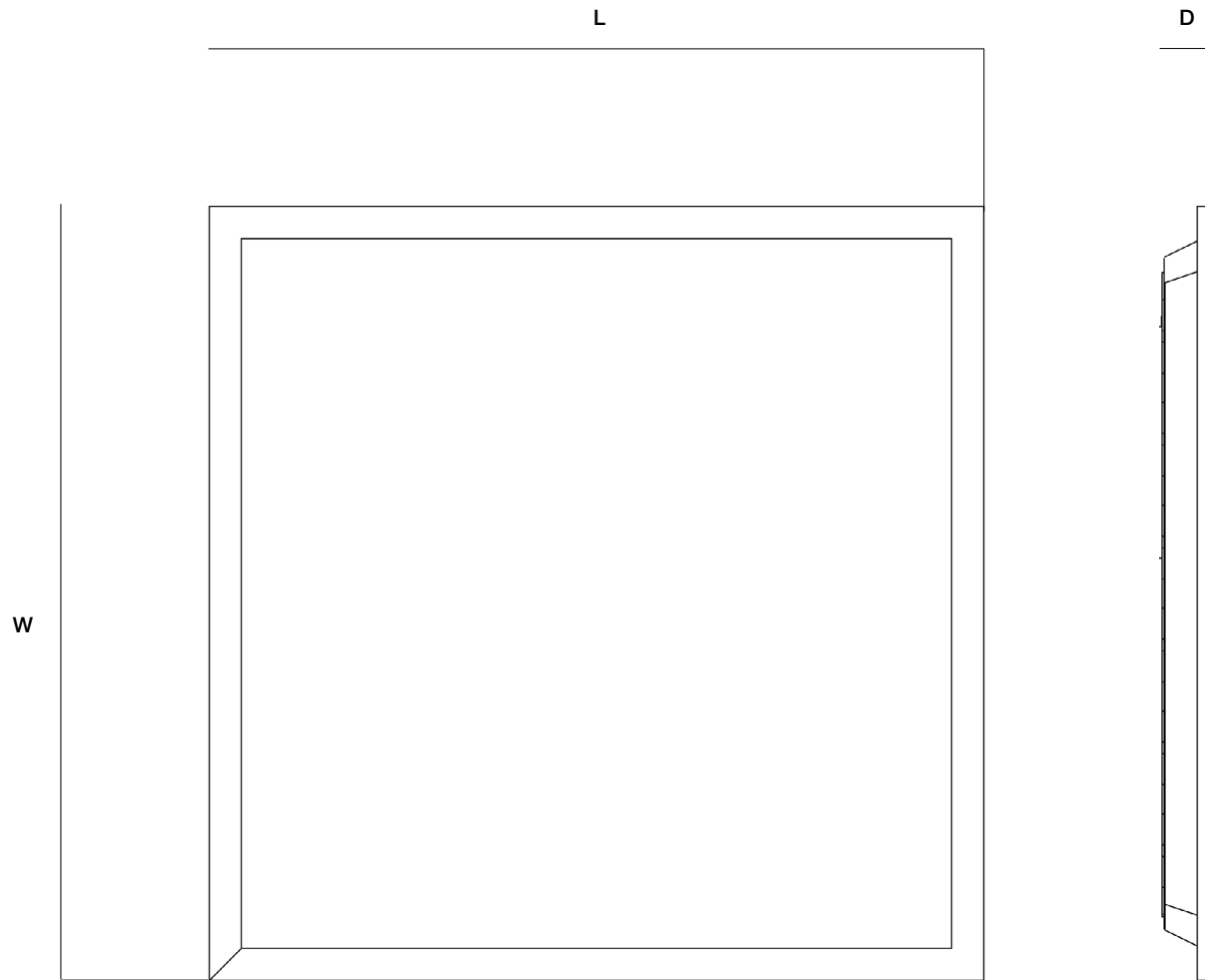
\*see page 4 for EMB spec

\*\*see page 6-7 for GTD spec

**LPTW SERIES TUNABLE WHITE PANEL**

**DIMENSIONS**

Model	L	W	D
LPTW-1	47.80" (1213.00mm)	11.90" (301.00mm)	1.50" (37.50mm)
LPTW-2	23.70" (603.00mm)	23.70" (603.00mm)	1.50" (37.50mm)
LPTW-4	47.80" (1213.00mm)	23.70" (603.00mm)	1.50" (37.50mm)



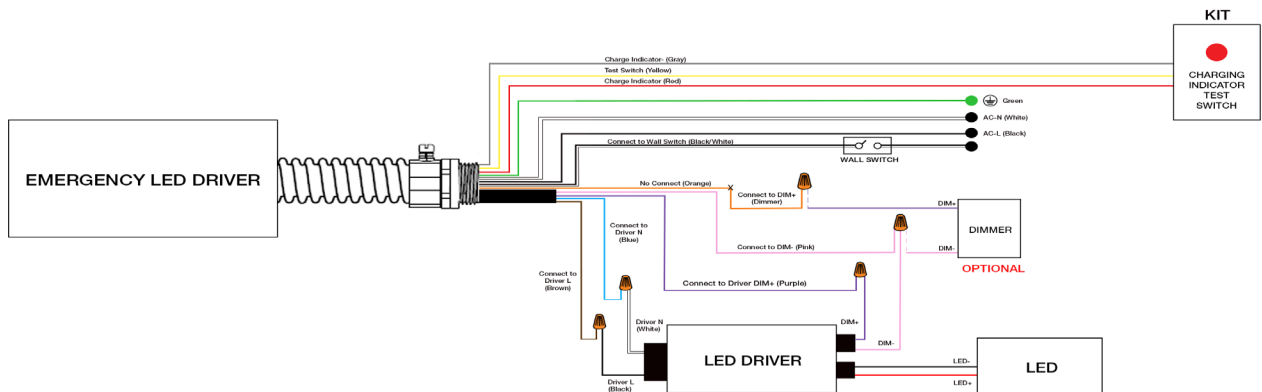
**LPTW SERIES TUNABLE WHITE PANEL**

**PERFORMANCE DATA**

MODEL	WATTS	VOLTAGE	2700K ~ 6500K (80CRI)			
			LUMENS	LPW	LUMENS	LPW
LPTW-1	40W	120-277V	4400	110	4600	115
LPTW-2	40W	120-277V	4400	110	4600	115
LPTW-4	50W	120-277V	5500	110	5750	105

**EMB SPEC**

Model	Battery Capacity	Input	Output	Output Power	Operating Temp	Installation
EMB-H08170	90mins	100-347VAC	170VDC	8W	0°C ~ 50°C 32°F ~ 122°F	Factory or Field Install
EMB-H18170	90mins	100-347VAC	170VDC	18W	0°C ~ 50°C 32°F ~ 122°F	Factory or Field Install



## LUTRON T-SERIES TUNABLE WHITE DRIVER SPECIFICATION

### Specifications

- cULus Listed Class P
- NOM certified
- Lutron Quality Systems registered to ISO 9001.2015
- Inrush current less than NEMA 410-2011 limit
- FCC Part 15 Class A
- Meets UL® 8750, "Light Emitting Diode (LED) Equipment For Use in Lighting Products"
- Class 2 outputs
- Dimming Range: 100% to 0.1%
- Operating Voltage: 120 V~ / 277 V~ at 50 / 60 Hz
- Lifetime: 50,000 hours when calibration point (tc) at 167 °F (75 °C)
- ULR allows operation of tc up to 90 °C
- At turn on, lighting goes to the desired level without decreasing or flashing to full brightness
- Typical standby power consumption: < 0.5 W at 120 V~ / 277 V~
- Open-circuit protected output
- Short-circuit protected output
- Over temperature protected
- Sound rated: Class A inaudible in 24 dBA ambient
- Relative Humidity: maximum 90% non-condensing
- Minimum Operating Ambient Temperature: ta = 0 °C (32 °F)
- Indoor use only
- Rated for dry and damp locations

### Compatible Controls: Lutron T-Series Digital Controls

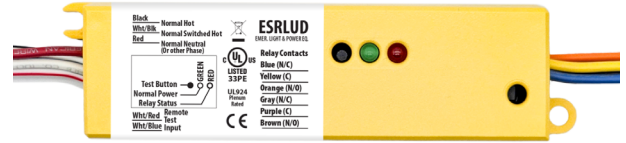
Guaranteed performance specifications with the controls listed in the chart below.

For assistance selecting controls, contact our LED Center of Excellence at 1.877.346.5338 or LEDs@lutron.com

**CONSTRUCTION**

Yellow metal casing. Integrates with dry contact systems to provide lighting during power outages. Features a slim enclosure, allowing for seamlessly integrating into existing building infrastructure.

Designed for commercial and industrial applications that require an emergency load to be switched on during a loss of normal power.



**SPECIFICATIONS**

<b>COIL CURRENT:</b>	Normal Power = 6mA MAX
<b>COIL VOLTAGE INPUT:</b>	120-277V AC (50/60 Hz)
<b>EXPECTED RELAY LIFE:</b>	10 Million Cycles Min Mechanical
<b>RELAY CONTACT RATINGS:</b>	10 Amp Resistive @ 30 V DC 10 Amp General Use @ 277 V AC
<b>OPERATING TEMP:</b>	-30°F ~ +140°F (-34°C ~ +60°C)
<b>OPERATE TIME:</b>	18ms
<b>HUMIDITY RANGE:</b>	5-95% (Noncondensing)
<b>LED:</b>	Green = Normal Power Red = Relay Status
<b>DIMENSIONS:</b>	1.40"H x 5.63"W x 1.00"D
<b>WIRES:</b>	16", 600V Rated
<b>OVERRIDE (TEST SWITCH):</b>	No
<b>APPROVALS:</b>	UL924, C-UL, CE, ROHS
<b>NOTES:</b>	Device Draws no Current From Emergency Source

**TESTING**

**INITIAL TEST FOR CORRECT WIRING:**

- Apply Normal Power To Normal Power Input
- a. Green LED (Normal Power) should be ON
  - b. Red LED (Relay Status) should be ON
  - c. Load should be OFF
  - d. Relay Contact (N/O) should be CLOSED

**LOCAL TEST BUTTON:**

1. Turn Switched Circuit OFF. Load be OFF.
2. Press and Hold "Local Test Button"
3. Load should Turn ON
4. Release "Local Test Button" and Emergency Light should Turn OFF.

**WALL SWITCH:**

1. Turn ON Wall Switch If not already ON
2. Load should Turn ON
3. Turn Wall Switch OFF
4. Load will Turn OFF

**TROUBLESHOOTING**

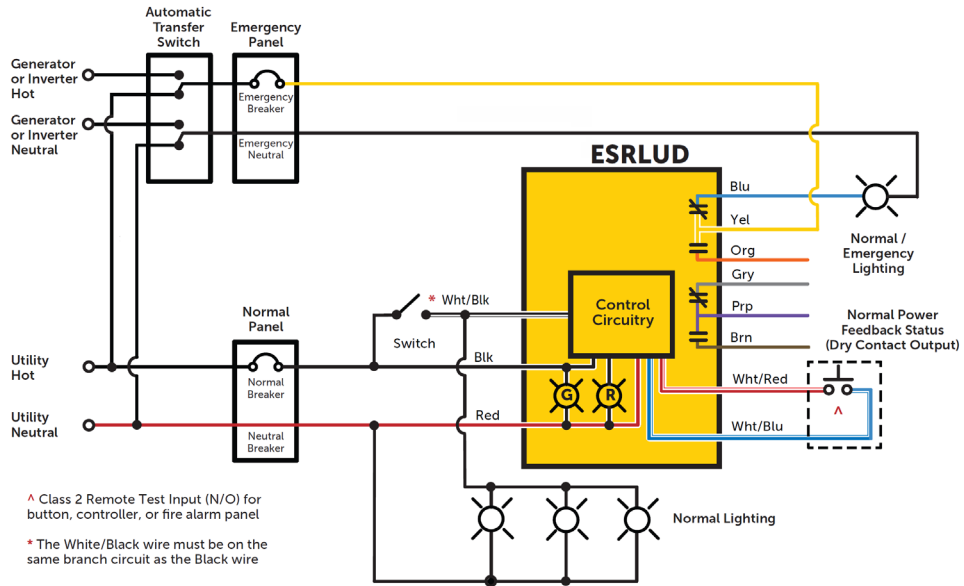
CONDITION	ACTION
Green LED is OFF	<ul style="list-style-type: none"> <li>• Check Normal Power Input Wiring (Black and Red Wires) and Voltage.</li> </ul>
Red LED is OFF but Load is OFF	<ul style="list-style-type: none"> <li>• Check Bulbs and Ballast.</li> <li>• Check Load Wiring (Blue Wire and Load's Neutral).</li> <li>• Replace Unit. (Assuming N/C Contact is Used).</li> </ul>
Load is ON but Red LED is ON	<ul style="list-style-type: none"> <li>• Replace Unit. (Assuming N/C Contact is Used).</li> </ul>
Red LED does not Turn OFF and Load does not Turn ON when being tested	<ul style="list-style-type: none"> <li>• Check Bulbs and Ballast.</li> <li>• Check Wiring Connections if Using a Remote Test Option.</li> <li>• Press Local Test Button on the Unit.</li> <li>• Replace Unit.</li> </ul>
Red LED will not Turn ON and Load will not Turn OFF	<ul style="list-style-type: none"> <li>• Verify Status of Normal Power Input.</li> <li>• Open Wall Switch Input.</li> <li>• Verify That No Test Inputs are Stuck Closed.</li> </ul>



**GTD-ESRLUD Generator Transfer Device**

**WIRING DIAGRAM**

**USING EMERGENCY LIGHTING AS NORMAL LIGHTING**



**OVERRIDING A 0-10V DIMMER**

