



DLA SERIES SELECTABLE DOWNLIGHT

Client:
Project:
Type:
Quantity:

CONSTRUCTION

Die-cast aluminum body, available in 4", 6" and 8" aperture. Entire luminaire as heat dissipation system, designed for general illumination application for long life and service period.
IC rated for direct contact with insulation.

OPTICS

Impact resistant diffuse polycarbonate lens, gasketed and sealed prevent splash of water or dust object from entry.

ELECTRICAL

90+ CRI LEDs.
120-277V Input, 0-10V dimming.
CCT and Lumen Selectable Function.
Greater than 70% LED lumen maintenance at 50,000 hours.
Optional External Emergency Battery 120-277V Input

CONTROL (OPTIONAL)

CONTROL-XFAC AVI-ON Bluetooth Zone Controller Adapter

MOUNTING

New Construction: Flat torsion spring clips design to hold luminaire in place without using a housing.
New Construction: Mounting Frame available.
12" Flex conduit came with fixture for easy wiring with j-box.

STANDARD FINISH

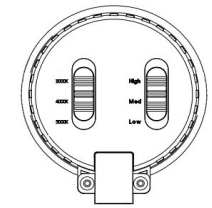
Corrosion resistant matte White finish.

CERTIFICATION

Damp location label standard.
Meets Buy America Act requirements.
All luminaires are built to UL1598 standards and bear appropriate cETLus labels.
FCC Certified.
Energy Star Certified.
California JA8, Title 24 Compliant

WARRANTY

5 year warranty, see Limited Warranty for additional information.



CCT / Lumen Selector

SHIPPING DATA

Product	Measurement	Weight
DLA-4	6"L x 6"W x 3"H	2 lb
DLA-6	9"L x 9"W x 5"H	2 lb
DLA-8	11"L x 11"W x 5"H	2 lb



DLA SERIES SELECTABLE DOWNLIGHT

ORDER INFORMATION **EXAMPLE : DLA 6 WH UD**

Fixture	Series	Model	Finish	Input
	DLA		WH	UD

Accessories
Options

A SERIES

DLA CCT / Lumen Selectable Downlight

B MODEL

Code	Trim Type	Power	LM	CCT
4	4-inch Trim	7W / 10W / 13W	600lm / 850lm / 1035lm	2700 / 3000 / 3500 / 4000 / 5000K
6	6-inch Trim	10W / 15W / 22W	900lm / 1350lm / 1750lm	2700 / 3000 / 3500 / 4000 / 5000K
8	8-inch Trim	12W / 20W / 30W	1361lm / 2061lm / 2250lm	2700 / 3000 / 3500 / 4000 / 5000K

C FINISH

WH matte White finish

D INPUT

UD 120-277V, 0-10V Dimmable

E ACCESSORIES/OPTIONS

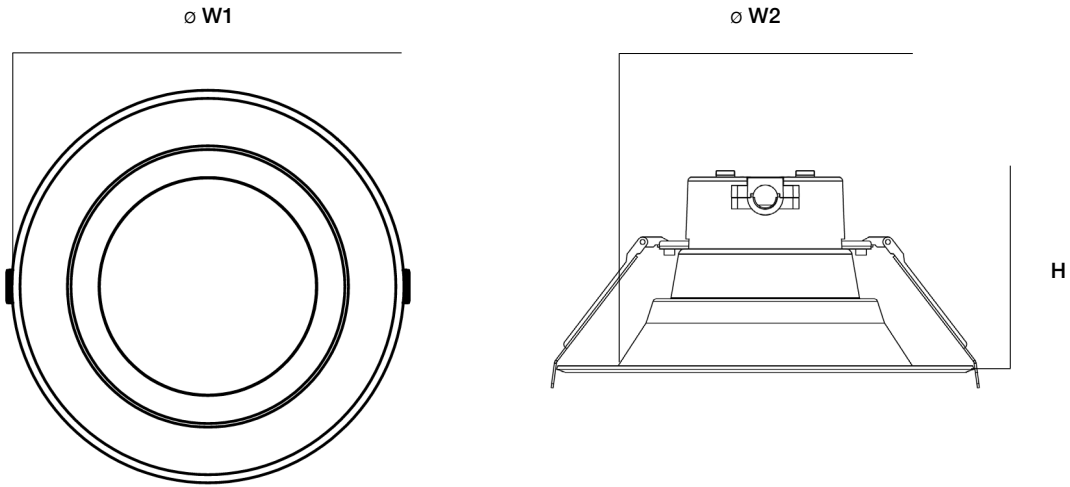
- AIA** Assembled in America, compliant with BAA (COTS)
- EMB-H08170*** High Voltage Output Smart Emergency Battery 8W 100-347VAC Input 170VDC Output
- EMB-H18170*** High Voltage Output Smart Emergency Battery 18W 100-347VAC Input 170VDC Output
- MOUNT-NCR** Mounting Frame Plate
- MOUNT-NCR-JB** Mounting Frame Plate w/ J-Box
- CONTROL-XFAC*** AVI-ON Bluetooth Zone Controller Adapter

*see page 5 for sensor
and emb spec

DLA SERIES SELECTABLE DOWNLIGHT

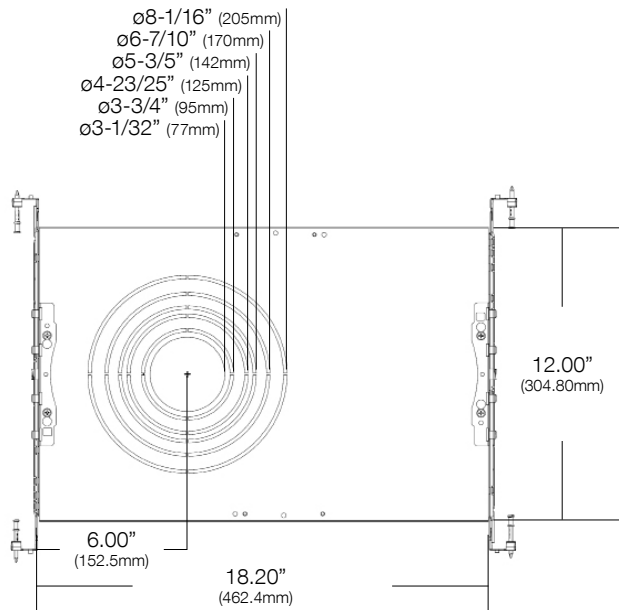
DIMENSIONS

MODEL	W1	W2	H
DLA-4	ø 5.35" (Ø136mm)	ø 3.84" (Ø98mm)	3.03" (77mm)
DLA-6	ø 8.22" (Ø209mm)	ø 5.91" (Ø150mm)	4.40" (112mm)
DLA-8	ø 10.23" (Ø260mm)	ø 7.32" (Ø186mm)	4.56" (116mm)



DIMENSIONS - OPTIONAL MOUNTING FRAME KIT

NCR / NCR-JB
 Round Trim Mounting Frame Kit
 Round Trim Mounting Frame Kit w/ J-Box



DLA SERIES SELECTABLE DOWNLIGHT

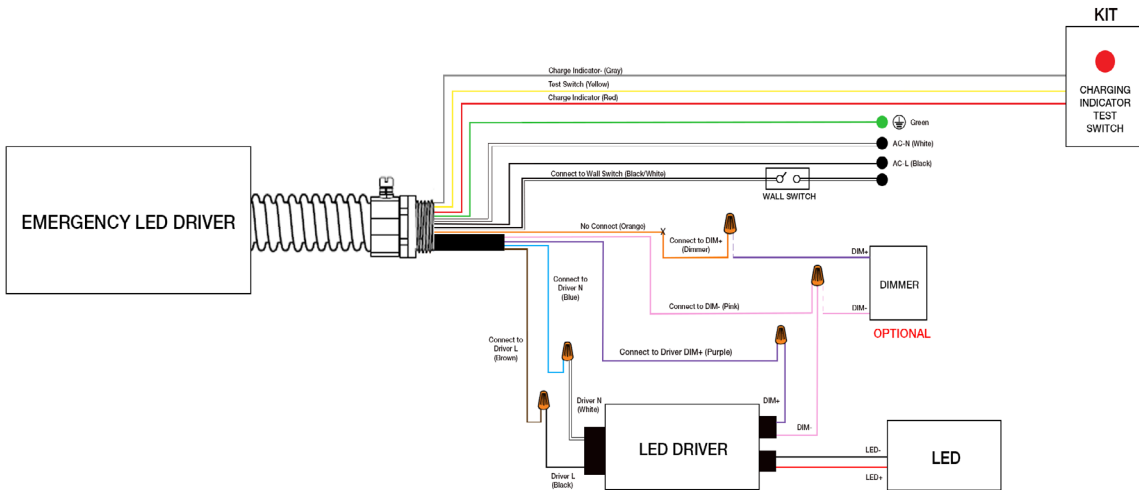
PERFORMANCE DATA

MODEL	VOLTAGE	WATTAGE	2700K / 3000K (90CRI)		3500K / 4000K (90CRI)		5000K (90CRI)		QTY ON PALLET
			LUMENS	LPW	LUMENS	LPW	LUMENS	LPW	
DLA-4	110-277V	7W	602	86	630	90	644	92	500
	110-277V	10W	850	85	880	88	890	89	500
	110-277V	13W	1053	81	1092	84	1105	85	500
DLA-6	110-277V	10W	850	85	900	90	900	90	420
	110-277V	15W	1245	83	1350	90	1350	90	420
	110-277V	22W	1760	80	1958	89	1958	89	420
DLA-8	110-277V	12W	900	75	996	83	1056	88	210
	110-277V	20W	1500	75	1600	80	1660	83	210
	110-277V	30W	2100	70	2250	75	2340	78	210

DLA SERIES SELECTABLE DOWNLIGHT

EMB SPEC

Model	Battery Capacity	Input	Output	Output Power	Operating Temp	Installation
EMB-H08170	90mins	100-347VAC	170VDC	8W	0°C ~ 50°C 32°F ~ 122°F	Factory or Field Install
EMB-H18170	90mins	100-347VAC	170VDC	18W	0°C ~ 50°C 32°F ~ 122°F	Factory or Field Install



SENSOR SPEC

Model	Type	Mounting	Coverage	Input	Function	Programmable
CONTROL-XFAC (see page 6 for detail)	Fixture Controller	-	-	100-277VAC	Bluetooth On/Off/Dimming Scheduling	AVI-ON Bluetooth Mobile App



CONTROL-XFAC

DLA SERIES SELECTABLE DOWNLIGHT

CONTROL-XFAC SPEC

Status LEDs & Config Button
 Quick and easy validation of wiring and network

General Sensor Input Port
 24V DC power and contact closure Input for standard motion sensors

Direct Connect™ Sensor Port
 Simple power and communications to Avi-on Sensors

Energy Consumption Monitoring
 0.5% Accurate measured 15 minute energy consumption

SPECIFICATIONS

INPUT VOLTAGE:	100-277VAC	RADIO FREQUENCY:	50/60Hz
CURRENT:	MIN: 20 / 14mA MAX: 81 / 46mA	RELAY CURRENT:	16A
0-10V DIMMING:	100-277VAC	PROTECTION/IMMUNITY:	LEVEL 4
SIZE:	3.58" x 3.58" x 1.57" (91mm x 91mm x 40mm)	AMPERAGE FOR 0-10V LINES:	Contact Discharge: ± 8kV Air Discharge: ±12kV 325mA / CH
STORAGE TEMP:	-40°F to + 185°F (-40°C to + 85°C)	WARRANTY:	5 years
OPERATING TEMP:	-4°F to + 113°F (-20°C to + 45°C)	REGULATORY:	FCC: 2AFZI-AVIBG21 IC: 20544-AVBG21 BQB: D059595, DID: 185220 UL 924, 2043

WIRING DIAGRAM

