



WN SERIES SEMI-CUTOFF WALL PACK

Client:
Project:
Type:
Quantity:

CONSTRUCTION

Cast aluminum frame holds lens and seals to housing gasket with two stainless steel screws. Door assembly hinges to side, cast aluminum housing with three 1/2" conduit entries (on top and sides), for surface conduit. Suitable for applications requiring 3G testing prescribed by ANSI C136.31.

OPTICS

Polycarbonate lens softens LED image and provides uniform distribution and glare control.

ELECTRICAL

70+ CRI Lumileds LED.
-40°C up to 45°C (-40°F up to 113°F) maximum operating temperature.
150,000hr LED at L70 @ 25°C, 120,000hr LED at L70 @ 40°C.
Driver operates at 120-277V input, 50/60Hz, <20% THD, 0.9 power factor, 0-10V dimming.
Optional button photocontrol.
Optional 10kV surge protector. Optional 347V / 480V Driver.
Optional Self-Diagnostic emergency back up.
Optional Self-Diagnostic Sub-Zero emergency back up.

SENSORS (OPTIONAL)

SENSOR-BLE-7D Integral Microwave Bluetooth Wireless Motion/on/off/dimming/photosensing.
SENSOR-BLE-7 Integral Microwave Bluetooth Wireless Motion/on/off/dimming/photosensing.
SENSOR-ANT-7 Integral Microwave Motion/on/off/dimming/photosensing.
SENSOR-823 Integral PIR on/off/dimming/photosensing.
SENSOR-820 Integral PIR on/off/dimming/photosensing.
CONTROL-LVFA AVI-ON Bluetooth Mesh Controller.
SENSOR-PH-PB-U Integral Button Style Photocell.

MOUNTING

Wall mount over electrical box or via surface conduit.

STANDARD FINISH

Corrosion resistant Dark Bronze powder coating finish.

CERTIFICATION

Wet Location listed.
Title 24 compliant; see local ordinance for qualification information.
For Emergency application, equipment with UL924 certified battery packs.
For Emergency application, equipped with UL924 certified battery packs.
DLC® Premium (DesignLights Consortium Qualified) listed.

WARRANTY

5 year warranty, see Limited Warranty for additional information.



SHIPPING DATA

Product	Measurement	Weight
WN-27	13"L x 8"W x 7"H	6 lb
WN-45	13"L x 8"W x 7"H	6 lb
WN-60	13"L x 8"W x 7"H	6 lb
WN-90	13"L x 8"W x 7"H	7 lb
WN-115	13"L x 8"W x 7"H	7 lb



WN SERIES SEMI-CUTOFF WALL PACK

ORDER INFORMATION **EXAMPLE: WN 80 50 DB UNVD**

Fixture	Series	Power & LM	CCT	Finish	Input
	WN				

Accessories
Options

A SERIES

WN Semi-Cutoff Wall Pack

B POWER & LM

CODE	POWER	LM
27	27W	3,450lm
45	45W	5,600lm
60	60W	7,800lm
90	90W	11,000lm
115	115W	14,500lm

C CCT

50 5000K

D FINISH

DB Dark Bronze

E INPUT

UNVD 120-277V, 0-10V Dimming
 HVLD 347-480V, 0-10V Dimming

G ACCESSORIES/OPTIONS

- EMB-8W-B** 8W Emergency Battery 170VDC Forward Voltage
- EMB-18W-B** 18W Integral Self-Diagnostic Emergency Battery, Operating Temp: 0°C ~ 50°C
- EMB-18W-C-B** 18W Integral Self-Diagnostic Cold Weather Emergency Battery, Operating Temp -20°C ~ 50°C
- SENSOR-PH-PB-U* Button Style Photocell
- SENSOR-820-M8-L3* Integral PIR on/off/dimming/photosensing
- SENSOR-823-L3 / L4* Integral PIR on/off/dimming/photosensing / **L3:** up to 40FT, **L4:** up to 8FT
- REMOTE-RC100 Handheld Remote Commissioning Tool for SENSOR-823, 820 Series
- SENSOR-BLE-7D* Integral Bluetooth Microwave Sensor (ALS Control Mobile App)
- SENSOR-BLE-7* Integral Microwave Bluetooth Wireless Bi-Level Motion Sensor (ALS Control Mobile App)
- SENSOR-ANT-7* Integral Microwave Bi-Level Motion Sensor
- SURGE-LSP4-U 10kV inline Surge Protection for Universal input / **U:** 120-277V
- CONTROL-LVFA* AVI-ON Bluetooth Mesh Control System

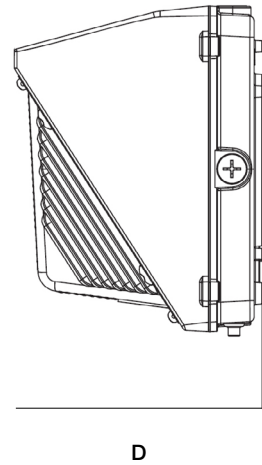
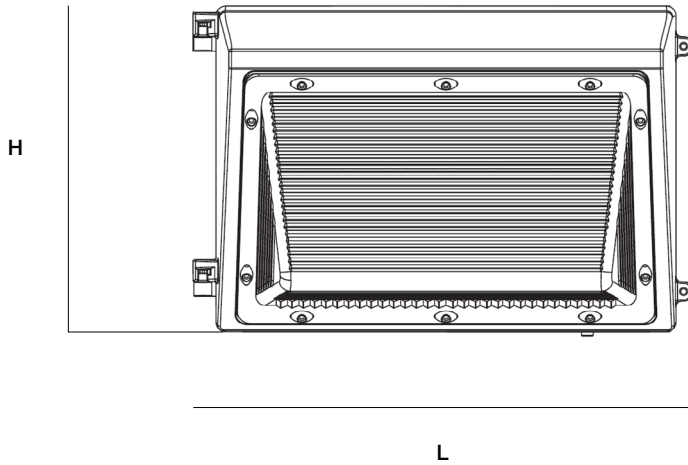
*see page 5 for sensor spec

**see page 6 for emb spec

WN SERIES SEMI-CUTOFF WALL PACK

DIMENSIONS

Model	H	L	D
WN-27 / 45 / 60 90 / 115	7.70" (196mm)	11.95" (303mm)	6.23" (158mm)





WN SERIES SEMI-CUTOFF WALL PACK

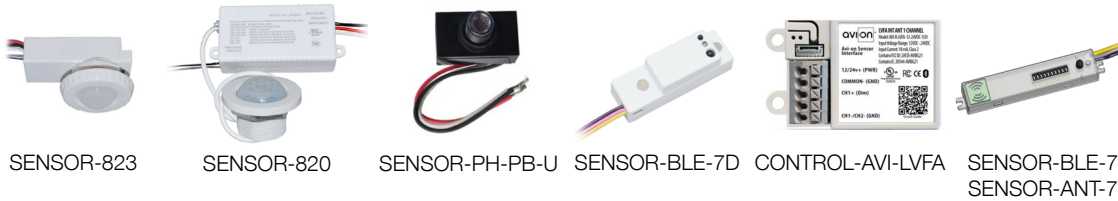
PERFORMANCE DATA / DLC CODE

SYSTEM WATTS	CCT	VOLTAGE	LUMEN	LPW	QTY ON PALLET	PART NUMBER	DLC PRODUCT ID / ORDER CODE	DLC CLASS
WN-27	5000K	120-277V	3450	128	96	WN-2750-DBUNVD	PENDING	DLC 5.1 Premium
WN-45	5000K	120-277V	5600	124	96	WN-4550-DBUNVD	PENDING	DLC 5.1 Premium
WN-60	5000K	120-277V	7800	126	96	WN-6050-DBUNVD	PENDING	DLC 5.1 Premium
WN-90	5000K	120-277V	11000	122	96	WN-9050-DBUNVD	PENDING	DLC 5.1 Premium
WN-115	5000K	120-277V	14500	126	96	WN-11550-DBUNVD	PENDING	DLC 5.1 Premium

WN SERIES SEMI-CUTOFF WALL PACK

SENSOR SPEC

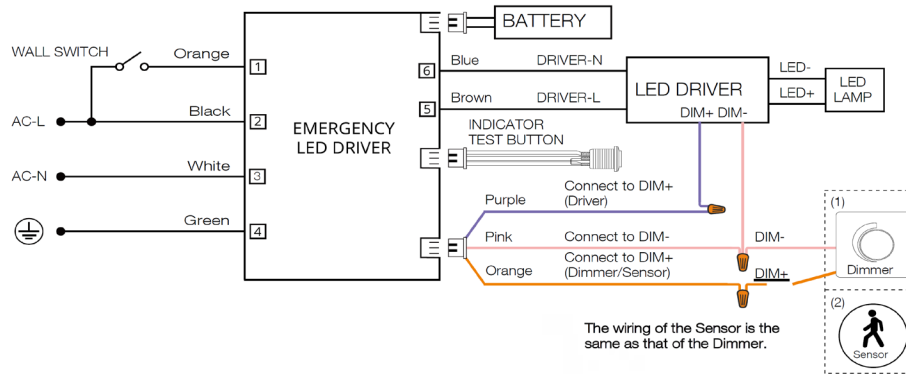
Model	Type	Mounting	Coverage	Input	Function	Programmable
SENSOR-823	PIR	L3 - 40FT L4 - 8FT	30FT radius 24FT radius	Universal	On/Off/Dimming	REMOTE-RC100
SENSOR-820	PIR	up to 40FT	30FT radius	100 ~ 480V	On/Off/Dimming Daylight Harvesting	REMOTE-RC100
SENSOR-PH-PB-U	-	-	-	Universal	Dusk-to-Dawn Control	-
SENSOR-BLE-7D (see page 8 for detail)	Microwave	up to 12FT	17FT radius	12V DC	Bluetooth Mesh On/Off/Dimming Motion	ALS Control Bluetooth Mobile App
CONTROL-LVFA (see page 7 for detail)	Fixture Controller	-	-	12V DC	Bluetooth Mesh On/Off/Dimming Scheduling	AVI-ON Bluetooth Mobile App
SENSOR-BLE-7 (see page 9 for detail)	Microwave	up to 13FT	17FT radius	12V DC	Bluetooth Mesh On/Off/Dimming Motion Daylight Sensing	ALS Control Bluetooth Mobile App
SENSOR-ANT-7	Microwave	up to 12FT	17FT radius	10V DC	On/Off/Dimming Motion Daylight Sensing	ALS Control Bluetooth Mobile App



WN SERIES SEMI-CUTOFF WALL PACK

EMB SPEC

Model	Battery Capacity	Input	Output	Output Power	Operating Temp	Installation
EMB-8W-B	90mins	100-347VAC	170VDC	8W	0°C ~ 50°C 32°F ~ 122°F	Factory or Field Install
EMB-18W-B	90mins	100-347VAC	170VDC	18W	0°C ~ 50°C 32°F ~ 122°F	Factory or Field Install
EMB-18W-C-B	90mins	100-347VAC	170VDC	18W	-20°C ~ 50°C -4°F ~ 122°F	Factory or Field Install



WN SERIES SEMI-CUTOFF WALL PACK

CONTROL-LVFA SPEC

Status LEDs & Config Button

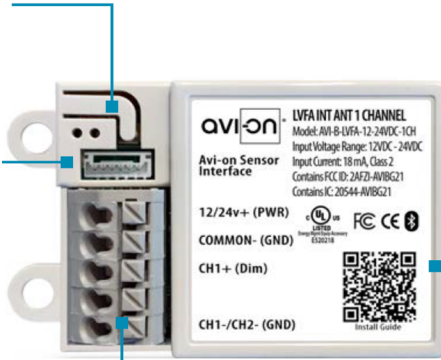
Quick and easy validation of wiring and network

Direct Connect™ Sensor Port

Simple and cost-effective addition to Avi-on sensors

Terminal Blocks & Mounting Tabs

Faster, easier and lower cost installation eliminating connectors



Internal Antenna

Improved performance and eliminates risk of accidentally cutting a hanging wire

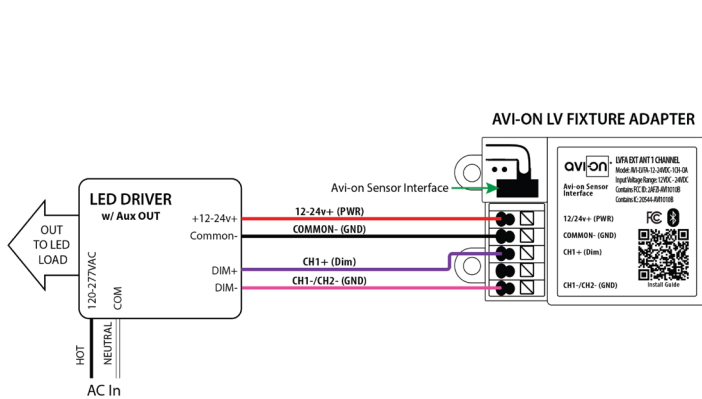
SPECIFICATIONS

INPUT VOLTAGE: 12-24VDC
CURRENT: 15mA without a Sensor
 19mA with a DC PIR Sensor
 48mA with a DC Microwave Sensor
0-10V DIMMING: 12-24VDC
SIZE: 2.30in x 1.43in x 0.75in
 (58.2mm x 36.4mm x 19mm)
MOUNTING: Removable mounting tabs
WEIGHT: 0.45 oz (16g)
OPERATING TEMP: -22°F to +158°F (-30°C to + 70°C)

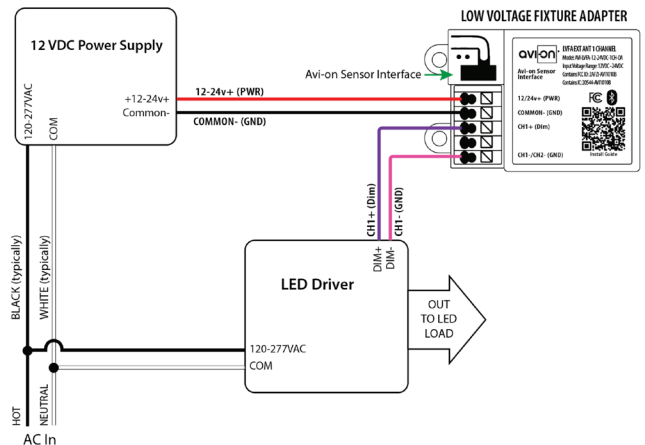
RADIO FREQUENCY: 2.4GHz
WIRELESS STANDARD: BLE 4.2 with Mesh
POINT TO POINT RANGE*: 80ft with obstructions
 350ft unobstructed
SECURITY: AES 128-bit encryption for device to device communication
 AES 256-bit encryption for device to cloud communication
WARRANTY: 5 years; 10 years optional
REGULATORY: FCC: 2AFZI-AVI1010 B
 IC: 20544-AVI1010 B
 BQB: D031801, DID: 86303
 UL 916, 2043 (Plenum Rated)

*When communicating through the mesh, range is essentially unlimited (5000ft+)

WIRING DIAGRAM



Fixture adapter powered by LED driver auxiliary output



Fixture adapter connected to LED driver and using power supply

FEATURE

- **Installation:** Factory Install - Integral to Fixture
- **Commissioning:** Wirelessly through ALS Control Mobile App (iOS / Android)
- **Certification:** DLC 5.1 Networked Lighting Control System
- **Control:** Hold time, High-Low setting, continuous Bi-level dimming, Code-compliant manual-on or auto-off capability
- **Sensor:** Motion (Occupancy/Vacancy/Manual)
- **Room and Zone Control:** Zoning and Grouping control, Scheduling

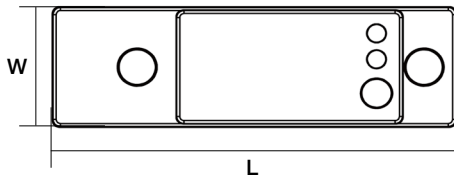


SPECIFICATIONS

SENSOR TYPE: Microwave
WIRELESS STANDARDS: Bluetooth SIG Mesh
INPUT VOLTAGE: 10-14VDC, >50mA
CONTROL OUTPUT: 0-10V
OPERATING TEMP: -40°F ~ +158°F (-40°C ~ +70°C)

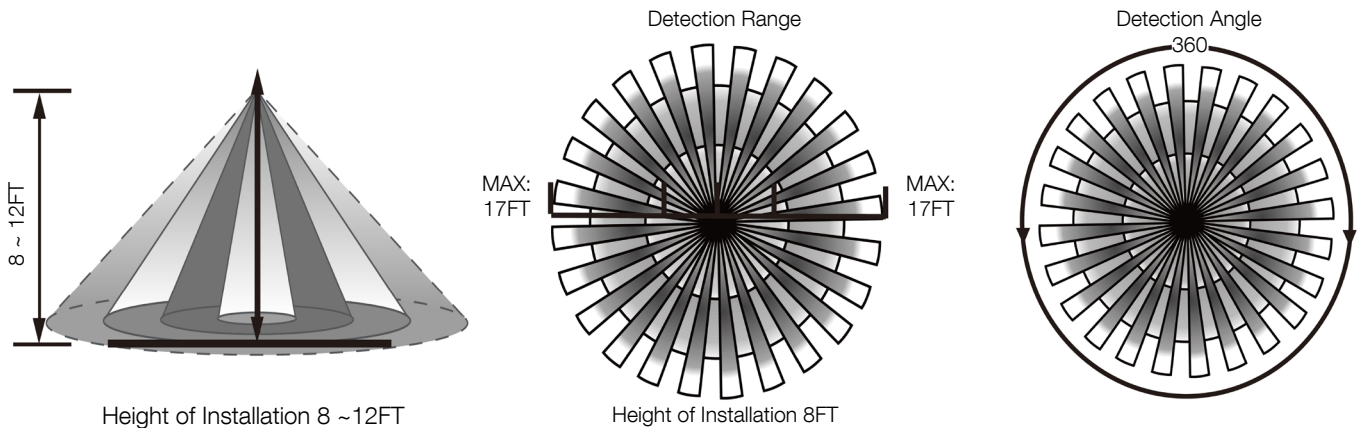
COMMISSIONING RANGE: 50FT
BLUETOOTH RANGE: Integral antenna up to 164FT
DETECTION ANGLE: 360°
MOUNTING HEIGHT: Up to 12FT
WARRANTY: 5 years
IP RATING: IP20

DIMENSIONS



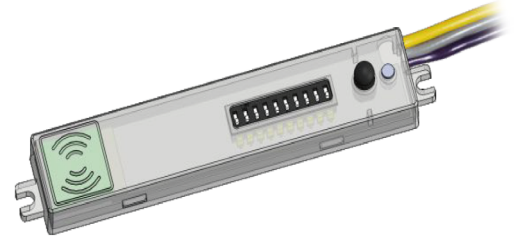
L	W
2.6" (65.5mm)	0.8" (20.5mm)

COVERAGE PATTERNS



FEATURE

- **Installation:** Factory Install - Integral to Fixture
- **Commissioning:** Wirelessly through ALS Control Mobile App (iOS / Android)
- **Certification:** DLC 5.1 Networked Lighting Control System
- **Control:** Hold time, High-Low setting, continuous Bi-level dimming, Code-compliant manual-on or auto-off capability
- **Sensor:** Motion (Occupancy/Vacancy/Manual)
- **Room and Zone Control:** Zoning and Grouping control, Scheduling

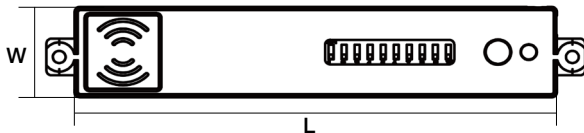


SPECIFICATIONS

SENSOR TYPE: Microwave
WIRELESS STANDARDS: Bluetooth SIG Mesh
INPUT VOLTAGE: 10-14VDC, >50mA
CONTROL OUTPUT: 0-10V
OPERATING TEMP: -40°F ~ +158°F (-40°C ~ +70°C)

COMMISSIONING RANGE: 50FT
BLUETOOTH RANGE: Integral antenna up to 164FT
DETECTION ANGLE: 360°
MOUNTING HEIGHT: Up to 13FT
WARRANTY: 5 years
IP RATING: IP20

DIMENSIONS



L	W
3.70" (94mm)	0.73" (18.5mm)

COVERAGE PATTERNS

