



SRPA SERIES SLOT RECESSED SELECTABLE PANEL

Client:
Project:
Type:
Quantity:

CONSTRUCTION

Low profile extruded aluminum frame, multiple wiring entrances on driver enclosure for easy access. Suitable for installation into T-grid ceilings.

OPTICS

Backlit design provides exceptional lighting distribution. Frosted PMMA lens offers edge to edge illumination without pixilation or bright spots.

ELECTRICAL

Long-life, high-efficacy, micro-power LEDs, illumination for extended service life. Greater than 70% LED lumen maintenance at 100,000 hours (L70>100,000).

Selectable lumen and CCT technology allows easy field-adjustable capability, luminaire ships with maximum output and 4000K CCT setting.

All CCTs are within 3 MacAdam ellipses, 80CRI.

Driver operates at 120-277V input, 0-10V dimmable driver, dim-to-off.

Compatible with Bluetooth Mesh system.



CONTROL (OPTIONAL)

CONTROL-XFAC AVI-ON Bluetooth Zone Controller Adapter

MOUNTING

Designed to accommodate lay-in ceilings, Slot T, and T-bar suspension system for 5/8" and 3/8" width.

STANDARD FINISH

90% minimum average reflective white polyester powder coat bonded to phosphate-free, multi-stage pretreated metal. All parts painted after fabrication to facilitate installation, increase efficiency, and inhibit corrosion.

CERTIFICATION

Meets Buy America Act requirements.

IC Rated, suitable for Damp location.

All luminaires are built to UL1598 standards and bear appropriate cULus labels.

For Emergency application, equipment with UL924 certified battery packs.

WARRANTY

5 year warranty, see Limited Warranty for additional information.

SHIPPING DATA

Product	Measurement	Weight
SRPA-42 (6-pack)	25"L x 10"W x 7"H	17 lb
SRPA-44 (6-pack)	49"L x 10"W x 7"H	33 lb
SRPA-48 (2-pack)	96"L x 10"W x 7"H	11 lb
SRPA-62 (1-pack)	25"L x 14"W x 7"H	26 lb
SRPA-64 (6-pack)	49"L x 14"W x 7"H	48 lb
SRPA-68 (1-pack)	96"L x 7"W x 3"H	17 lb



SRPA SERIES SLOT RECESSED SELECTABLE PANEL

ORDER INFORMATION				EXAMPLE: SRPA 44SC-BACKLIT	
Fixture	Series	Model	Finish	Input	Mounting
	SRPA		blank	blank	blank
Accessories					
Options					

A SERIES

SRPA Slot Recessed Selectable Panel

B MODEL

CODE	SIZE	LM	CCT	EFFICACY (AVG)
42SC-BACKLIT	4" x 2'	2,000	Field Selectable 3000K / 3500K / 4000K	110 lm/W
44SC-BACKLIT	4" x 4'	4,000	Field Selectable 3000K / 3500K / 4000K	110 lm/W
48SC-BACKLIT	4" x 8'	7,000	Field Selectable 3000K / 3500K / 4000K	110 lm/W
62SC-BACKLIT	6" x 2'	3,000	Field Selectable 3000K / 3500K / 4000K	125 lm/W
64SC-BACKLIT	6" x 4'	5,500	Field Selectable 3000K / 3500K / 4000K	125 lm/W
68SC-BACKLIT	6" x 8'	8,500	Field Selectable 3000K / 3500K / 4000K	125 lm/W

C FINISH

blank White

D INPUT

blank 120-277V, 0-10V Dimming

E MOUNTING

blank Standard lay-in

F ACCESSORIES/OPTIONS

AIA	Assembled in America, compliant with BAA (COTS)
CONTROL-XFAC*	AVI-ON Bluetooth Zone Controller Adapter
EMB-H08170*	High Voltage Output Smart Emergency Battery 8W 100-347VAC Input 170VDC Output
EMB-H18170*	High Voltage Output Smart Emergency Battery 18W 100-347VAC Input 170VDC Output
GTD-ESRLUD**	Emergency Battery Generator Transfer Device 120-277 VAC Input

*see page 4 for sensor and emb spec
 **see page 6-7 for GTD spec

SRPA SERIES SLOT RECESSED SELECTABLE PANEL

DIMENSIONS

Model	L	W	D
SRPA-42SC-BACKLIT	23.74" (603mm)	3.94" (100mm)	1.42" (36mm)
SRPA-44SC-BACKLIT	47.72" (1212mm)	3.94" (100mm)	1.42" (36mm)
SRPA-48SC-BACKLIT	95.00" (2413mm)	3.94" (100mm)	1.42" (36mm)
SRPA-62SC-BACKLIT	23.74" (603mm)	5.91" (150mm)	1.42" (36mm)
SRPA-64SC-BACKLIT	47.72" (1212mm)	5.91" (150mm)	1.42" (36mm)
SRPA-68SC-BACKLIT	95.00" (2413mm)	5.91" (150mm)	1.42" (36mm)



SRPA SERIES SLOT RECESSED SELECTABLE PANEL

SENSOR SPEC

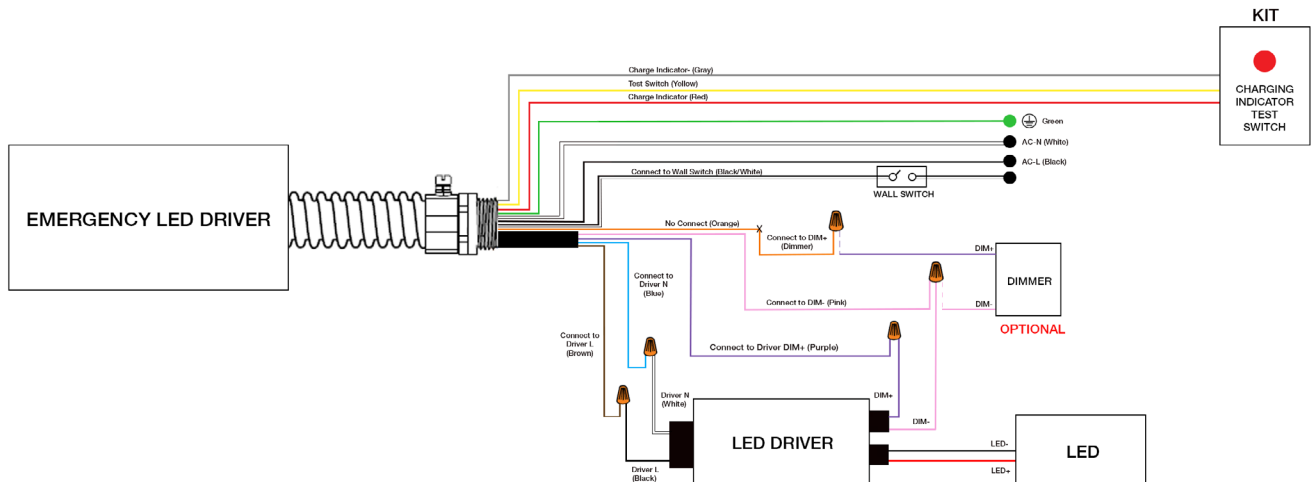
Model	Type	Mounting	Coverage	Input	Function	Programmable
CONTROL-XFAC (see page 5 for detail)	Fixture Controller	-	-	100-277VAC	Bluetooth On/Off/Dimming Scheduling	AVI-ON Bluetooth Mobile App



CONTROL-XFAC

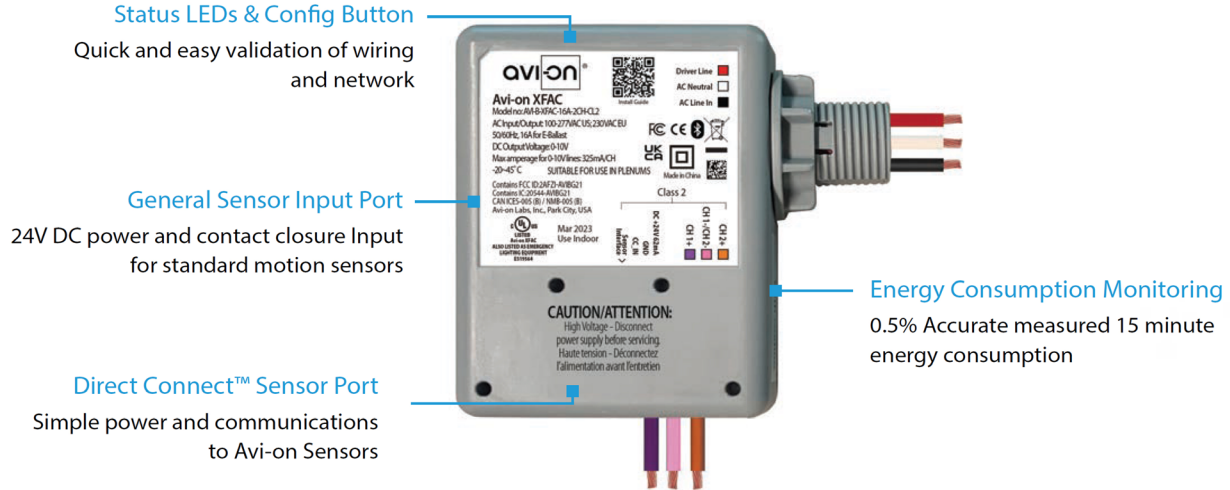
EMB SPEC

Model	Battery Capacity	Input	Output	Output Power	Operating Temp	Installation
EMB-H08170	90mins	100-347VAC	170VDC	8W	0°C ~ 50°C 32°F ~ 122°F	Factory or Field Install
EMB-H18170	90mins	100-347VAC	170VDC	18W	0°C ~ 50°C 32°F ~ 122°F	Factory or Field Install



SRPA SERIES SLOT RECESSED SELECTABLE PANEL

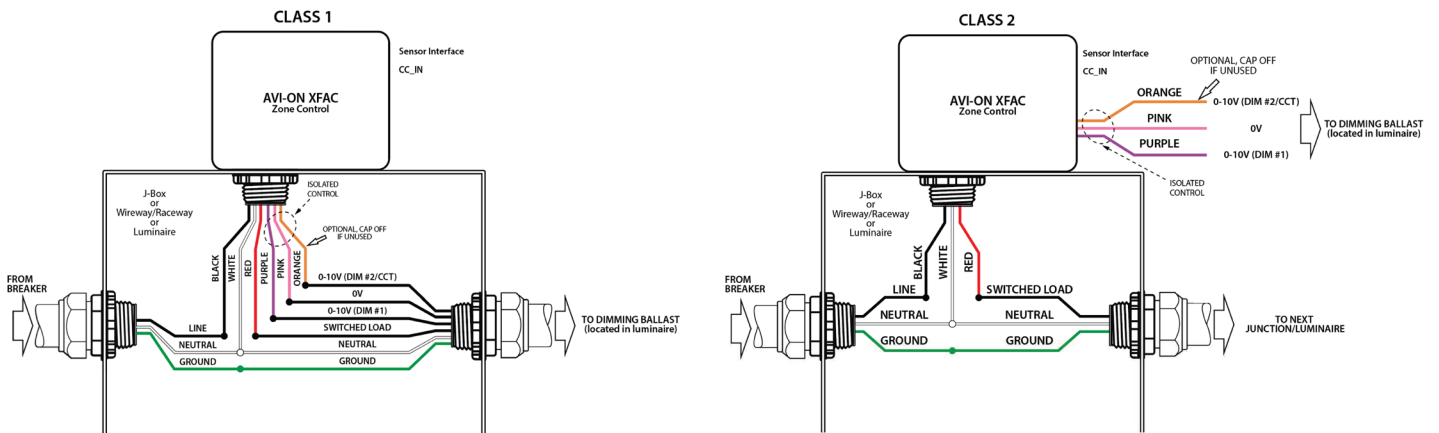
CONTROL-XFAC SPEC



SPECIFICATIONS

INPUT VOLTAGE:	100-277VAC	RADIO FREQUENCY:	50/60Hz
CURRENT:	MIN: 20 / 14mA MAX: 81 / 46mA	RELAY CURRENT:	16A
0-10V DIMMING:	100-277VAC	PROTECTION/IMMUNITY:	LEVEL 4
SIZE:	3.58" x 3.58" x 1.57" (91mm x 91mm x 40mm)	AMPERAGE FOR 0-10V LINES:	Contact Discharge: ± 8kV Air Discharge: ±12kV 325mA / CH
STORAGE TEMP:	-40°F to + 185°F (-40°C to + 85°C)	WARRANTY:	5 years
OPERATING TEMP:	-4°F to + 113°F (-20°C to + 45°C)	REGULATORY:	FCC: 2AFZI-AVIBG21 IC: 20544-AVBG21 BQB: D059595, DID: 185220 UL 924, 2043

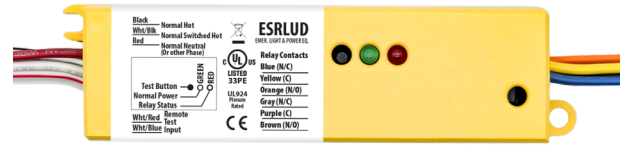
WIRING DIAGRAM



CONSTRUCTION

Yellow metal casing. Integrates with dry contact systems to provide lighting during power outages. Features a slim enclosure, allowing for seamlessly integrating into existing building infrastructure.

Designed for commercial and industrial applications that require an emergency load to be switched on during a loss of normal power.



SPECIFICATIONS

COIL CURRENT:	Normal Power = 6mA MAX
COIL VOLTAGE INPUT:	120-277V AC (50/60 Hz)
EXPECTED RELAY LIFE:	10 Million Cycles Min Mechanical
RELAY CONTACT RATINGS:	10 Amp Resistive @ 30 V DC 10 Amp General Use @ 277 V AC
OPERATING TEMP:	-30°F ~ +140°F (-34°C ~ +60°C)
OPERATE TIME:	18ms
HUMIDITY RANGE:	5-95% (Noncondensing)
LED:	Green = Normal Power Red = Relay Status
DIMENSIONS:	1.40"H x 5.63"W x 1.00"D
WIRES:	16", 600V Rated
OVERRIDE (TEST SWITCH):	No
APPROVALS:	UL924, C-UL, CE, ROHS
NOTES:	Device Draws no Current From Emergency Source

TESTING

INITIAL TEST FOR CORRECT WIRING:	Apply Normal Power To Normal Power Input a. Green LED (Normal Power) should be ON b. Red LED (Relay Status) should be ON c. Load should be OFF d. Relay Contact (N/O) should be CLOSED
LOCAL TEST BUTTON:	1. Turn Switched Circuit OFF. Load be OFF. 2. Press and Hold "Local Test Button" 3. Load should Turn ON 4. Release "Local Test Button" and Emergency Light should Turn OFF.
WALL SWITCH:	1. Turn ON Wall Switch If not already ON 2. Load should Turn ON 3. Turn Wall Switch OFF 4. Load will Turn OFF

TROUBLESHOOTING

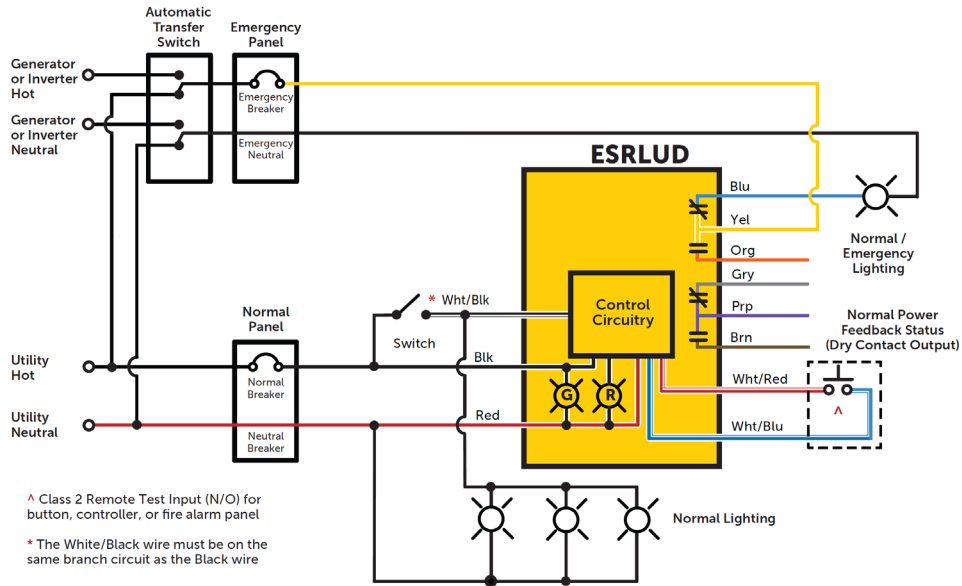
CONDITION	ACTION
Green LED is OFF	<ul style="list-style-type: none"> Check Normal Power Input Wiring (Black and Red Wires) and Voltage.
Red LED is OFF but Load is OFF	<ul style="list-style-type: none"> Check Bulbs and Ballast. Check Load Wiring (Blue Wire and Load's Neutral). Replace Unit. (Assuming N/C Contact is Used).
Load is ON but Red LED is ON	<ul style="list-style-type: none"> Replace Unit. (Assuming N/C Contact is Used).
Red LED does not Turn OFF and Load does not Turn ON when being tested	<ul style="list-style-type: none"> Check Bulbs and Ballast. Check Wiring Connections if Using a Remote Test Option. Press Local Test Button on the Unit. Replace Unit.
Red LED will not Turn ON and Load will not Turn OFF	<ul style="list-style-type: none"> Verify Status of Normal Power Input. Open Wall Switch Input. Verify That No Test Inputs are Stuck Closed.



GTD-ESRLUD Generator Transfer Device

WIRING DIAGRAM

USING EMERGENCY LIGHTING AS NORMAL LIGHTING



OVERRIDING A 0-10V DIMMER

