

FDM SERIES FLOOD LIGHT

Client:
 Project:
 Type:
 Quantity:

CONSTRUCTION

Rugged die-cast aluminum housing with corrosion resistant powder coat paint finish. Internal venting fins create optimal heat dissipation and allow all water to drain from the face of the luminaire.

Simple access to electrical components with removal of four screws from back of fixture housing.

OPTICS

High impact UV stabilized acrylic outer lens protects LEDs and allows for cleaning and debris removal.

Lens hardware is internal to the fixture allowing for uniform pressure on the gasket for an optimal water tight seal.

NEMA distributions: Wide (7x6)

Stock Version: 4000K & 5000K

ELECTRICAL

70+ CRI Lumileds LED.

-40°C up to 45°C (-40°F up to 113°F) maximum operating temperature.

Long-life 100,000hr LED at L70.

Driver operates at 120-277V input, 50/60Hz.

<20% THD, 0.9 power factor.

4kV surge protection, 10kV surge protector optional.

Optional 347V / 480V Driver.

Optional button photocell control.

MOUNTING

15/27/45/60W models with Knuckle as standard, Yoke as option.

70/100/135/200W with Slipfitter as standard, Yoke as option.

250/350W with Yoke as standard.

FINISH

Standard: Corrosion resistant Dark Bronze powder coating finish.

CERTIFICATION

Meets Buy America Act requirements.

IP66 Wet location label standard.

Option for "Assembled in America" upon request.

All luminaires are built to UL1598 standards and bear appropriate cULus labels.

DLC® Premium (DesignLights Consortium Qualified)

WARRANTY

5 year warranty, see Limited Warranty for additional information.



250 / 350W Yoke



15-60W
Yoke



15 - 60W
Knuckle



70 - 200W
Yoke



70 - 200W
Slipfitter

Shipping Data

Product	Measurement	Weight
FDM-15/27	7"L x 7"W x 3"H	2 lb
FDM-45/60	8"L x 8"W x 4"H	4 lb
FDM-70/100	15"L x 12"W x 5"H	11 lb
FDM-135/200	17"L x 15"W x 5"H	16 lb
FDM-250/350	21"L x 18"W x 6"H	32 lb



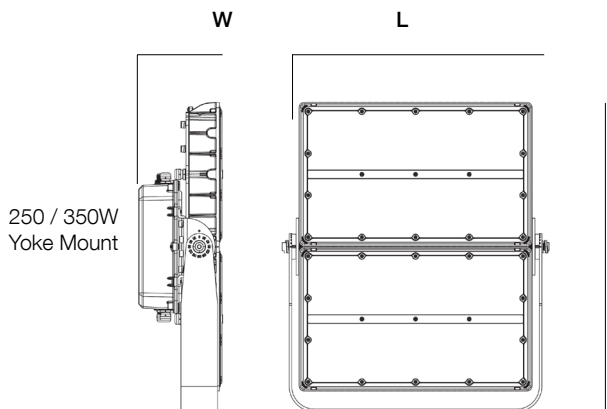
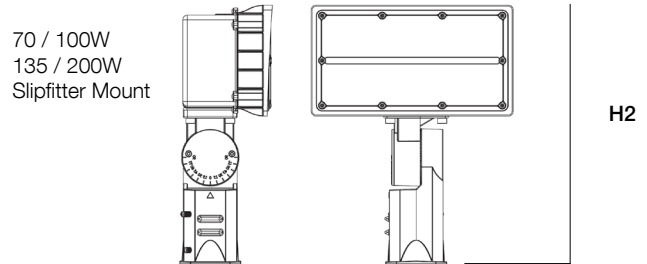
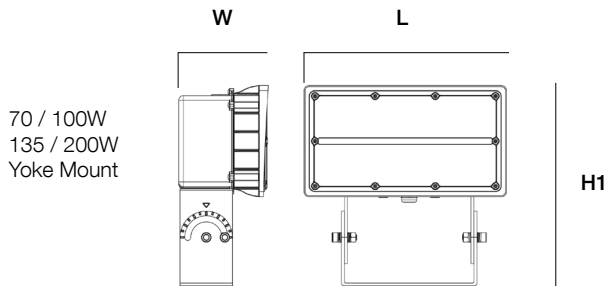
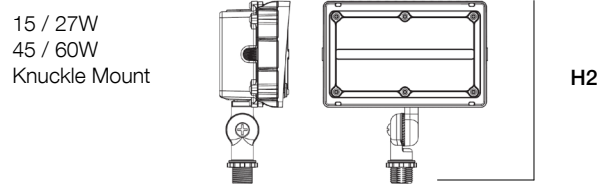
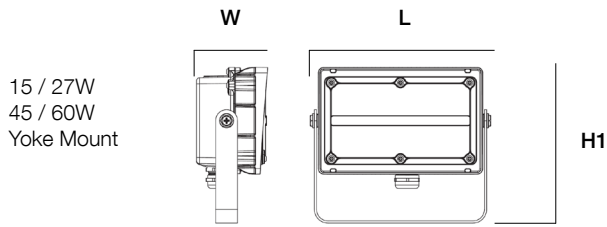
FDM SERIES FLOOD LIGHT

ORDER INFORMATION				EXAMPLE: FDM 200 50 77 YM DB UD			
Fixture	Series	Power & LM	CCT	Distribution	Mounting	Finish	Input
	FDM			76		DB	
Accessories Options							
A SERIES							
FDM	Floodlight						
B POWER & LM							
Code	Power	LM		Code	Power	LM	
15	15W	2000		70	70W	8900	
27	27W	3600		100	100W	12400	
45	45W	5650		135	135W	18000	
60	60W	7450		200	200W	26200	
				350	350W	50000	
C CCT							
40	4000K			50	5000K		
D DISTRIBUTION							
76	7H x 6V						
E MOUNTING							
15W~60W							
KN	Knuckle Mount (Standard for 15/27/45/60W)						
YM	Yoke Mount (Option for 15/27/45/60/350W)						
70W~200W							
SF	Slipfitter (Standard for 70/100/135/200W)						
YM	Yoke Mount (Option for 70/100/135/200W)						
250W~300W							
YM	Yoke Mount (Standard for 250/350W)						
MOUNT-SPM-SF	Slipfitter Convert Bracket (Option for 250/350W) - see pg 3 for detail						
F FINISH							
DB	Dark Bronze						
G INPUT							
U	120-277V, non-dimmable			H	347V, 480V, non-dimmable		
H ACCESSORIES/OPTIONS (PG. 5 FOR SENSOR SPEC)							
AIA	Assembled in America, compliant with BAA (COTS)						
SENSOR-PH-PB-U	Button Style Photocell (120-277V)						
SURGE-LSP4-U / H	10kV inline Surge Protection for Universal input (120-277V) / 10kV inline Surge Protection for 480V						

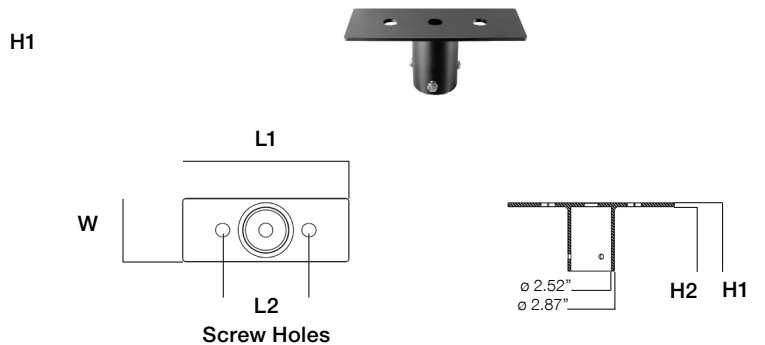
FDM SERIES FLOOD LIGHT

DIMENSIONS

Power	L	W	H1	H2
15 / 27W	5.98" (152mm)	2.55" (65mm)	5.57" (142mm)	6.56" (167mm)
45 / 60W	8.47" (215mm)	3.12" (79mm)	6.56" (167mm)	7.50" (191mm)
70 / 100W	11.06" (281mm)	4.90" (125mm)	10.97" (279mm)	14.20" (361mm)
135 / 200W	14.53" (369mm)	4.37" (111mm)	12.56" (319mm)	16.73" (425mm)
250 / 350W	16.64" (422mm)	5.23" (133mm)	19.27" (490mm)	-



Part#	L1	L2	W	H1	H2
MOUNT-SPM-SF	10.31" (262mm)	5.35" (136mm)	3.94" (100mm)	4.25" (108mm)	4.21" (107mm)



FDM SERIES FLOOD LIGHT

PERFORMANCE DATA

SYSTEM WATTS	VOLTAGE	DIST.TYPE	4000K (70CRI)		5000K (70CRI)	
			LUMENS	LPW	LUMENS	LPW
15W	120-277V	76	2000	133	2000	133
27W	120-277V	76	3600	133	3600	133
45W	120-277V	76	5650	126	5650	126
60W	120-277V	76	7450	124	7450	124
70W	120-277V	76	8900	127	8900	127
100W	120-277V	76	13300	133	13300	133
135W	120-277V	76	18000	133	18000	133
200W	120-277V	76	26200	131	26200	132
250W	120-277V	76	36000	144	36000	144
350W	120-277V	76	50000	143	50000	153

FDM SERIES FLOOD LIGHT

SENSOR SPEC

Model	Type	Mounting	Coverage	Input	Function	Programmable
SENSOR-PH-PB-U	-	-	-	Universal	Dusk-to-Dawn Control	-



SENSOR-PH-PB-U