

CPQ SERIES GARAGE LIGHT

Client:
 Project:
 Type:
 Quantity:

CONSTRUCTION

Rugged die-cast aluminum housing with corrosion resistant powder coat finish both protects and provides architectural appearance.
 Heat dissipating fins provide superior thermal performance extending the life of the luminaire. Feed-through wiring ready, 1/2" NPT threading with water tight cap.

OPTICS

Square dropped lens constructed of polycarbonate material with refractive features built-in to maximize area coverage.
 Type V Distribution, lightly diffused lens for reduced LED pixilation and glare. Drop lens provides light above the 90 degree plane for some ambient uplighting.

ELECTRICAL

80+ CRI Lumileds LED.
 -40°C up to 40°C (-40°F up to 104°F) maximum operating temperature
 100,000 hr at L70 @ 25°C.
 Driver operates at 120-277V input, 50/60Hz, 1-10V dimming driver standard.
 <20% THD, 0.9 power factor.
 Optional Emergency Backup Battery.

SENSORS (OPTIONAL)

SENSOR-819-O1 End mount on/off motion sensor with lowbay lens.
 SENSOR-819-D1 End mount on/off/dimming and photocell sensor with lowbay lens.
 SENSOR-BLE-819 End mount ALS CONTROL bluetooth on/off motion sensor lowbay lens.
 SENSOR-PH-PB-U Integral button style photocell.
 CONTROL-LVFA AVI-ON Bluetooth Mesh Controller.

MOUNTING

Integrated universal mounting marked on housing, allows simple installation.
 Mounts directly to 4" round, octagonal, and square junction boxes.
 Hinged design allows luminaire to be hung while wiring. (Suitable for surface mounted j-box, rigid pipe or free swinging pendant (supplied by others).
 3/4" conduit entry on top for pendant mount.
 1/2" conduit entry on four sides of the driver enclosure.

STANDARD FINISH

Corrosion resistant Dark Bronze and Semi-Gloss White powder coat.

CUSTOM FINISH

Corrosion resistant Black, Graphite Metallic, Gray, Silver, or custom RAL#.

CERTIFICATION

IP65 Wet location label standard.
 Meets Buy America Act requirements.
 All luminaires are built to UL1598 standards and bear appropriate cULus labels.
 For Emergency application, equipment with UL924 certified battery packs.
 DLC® Premium (DesignLights Consortium Qualified)

WARRANTY

5 year warranty, see Limited Warranty for additional information.



White Finish

SHIPPING DATA

Product	Measurement	Weight
CPQ-30	9"L x 9"W x 5"H	5 lb
CPQ-50	9"L x 9"W x 5"H	5 lb
CPQ-70	9"L x 9"W x 5"H	5 lb
CPQ-100	11"L x 11"W x 5"H	8 lb



CPQ SERIES GARAGE LIGHT

ORDER INFORMATION **EXAMPLE : CPQ 30 50 PL JM DB UD**

Fixture	Series	Power & LM	CCT	Distribution	Mounting	Finish	Input
	CPQ			PL	JM		

Accessories
Options

A SERIES

CPQ Square Canopy Light

B POWER & LM

Code	Power	LM
30	30W	3,900lm
50	50W	6,500lm
70	70W	9,100lm
100	100W	13,000lm

C CCT

40	4000K
50	5000K

D DISTRIBUTION

PL Prismatic Lens

E MOUNTING

JM Surface Mount (3/4" conduit entry on top)

F FINISH

Standard

DB Dark Bronze **WH** White

Custom Color

CC **BK** Black **GM** Graphite Metallic **RAL #**
SV Silver **GR** Gray

G INPUT

U	110-277V
UD	110-277V, 0-10V Dimmable

H ACCESSORIES/OPTIONS

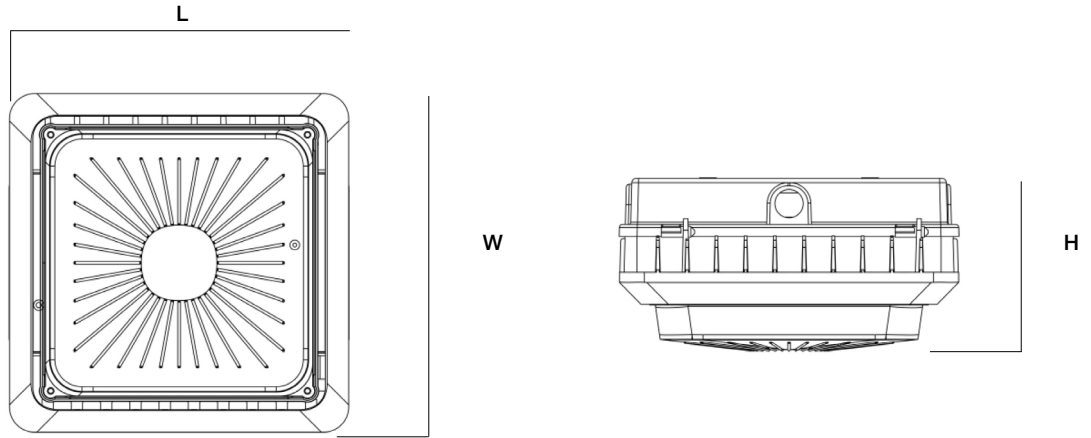
AIA	Assembled in America, compliant with BAA (COTS)
EMB-8W-B*	High Voltage Output Smart Emergency Battery 8W 100-347VAC Input 170VDC Output
REMOTE-RC100	Handheld Remote Commissioning Tool for SENSOR-819-D1/D2 Only
SENSOR-819-O1-L1 / L2*	End mount on/off motion sensor with lowbay lens (120-277V) / L1: up to 20FT, L2: up to 40FT
SENSOR-819-D1-L1 / L2*	End mount on/off/dimming and photocell sensor with lowbay lens / L1: up to 20FT, L2: up to 40FT
SENSOR-BLE-819-L1*	End Mount PIR Bluetooth Daylight Harvesting Sensor (ALS Control Mobile App) / L1: up to 20FT
CONTROL-LVFA*	AVI-ON Bluetooth Mesh Control System
SENSOR-PH-PB-U*	Button Style Photocell

*see page 4 for sensor and emb spec

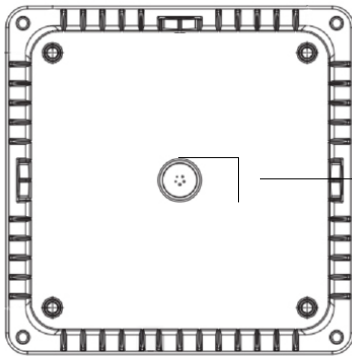
CPQ SERIES GARAGE LIGHT

DIMENSIONS

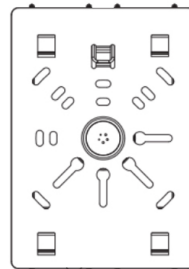
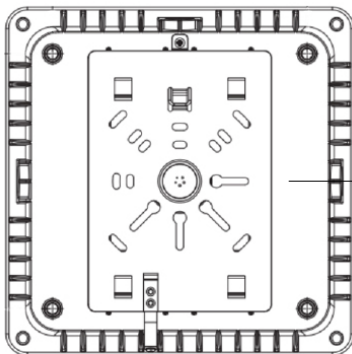
Power	L	W	H
30W / 50W / 70W	8.89" (225mm)	8.89" (225mm)	4.13" (98mm)
100W	10.80" (275mm)	10.80" (275mm)	4.30" (109mm)



MOUNTING OPTIONS



3/4" conduit entry on top for pendant mount



Surface Mount Plate
 For direct mounting with electrical box

CPQ SERIES GARAGE LIGHT

SENSOR SPEC

Model	Type	Mounting	Coverage	Input	Function	Programmable
SENSOR-PH-PB-U	-	-	-	Universal	Dusk-to-Dawn Control	-
CONTROL-LVFA (see page 5 for detail)	Fixture Controller	-	-	12V DC	Bluetooth Mesh On/Off/Dimming Scheduling	AVI-ON Bluetooth Mobile App
SENSOR-819-O1	PIR	L1 - 20FT L2 - 40FT	30FT radius 30FT radius	Universal	On/Off	-
SENSOR-819-D1	PIR	L1 - 20FT L2 - 40FT	30FT radius 30FT radius	Universal	On/Off/Dimming	REMOTE-RC100
SENSOR-BLE-819 (see page 6 for detail)	PIR	L1 - 20FT	30FT radius	Universal	Bluetooth Mesh On/Off/Dimming Daylight Harvesting	ALS Control Bluetooth Mobile App



SENSOR-PH-PB-U



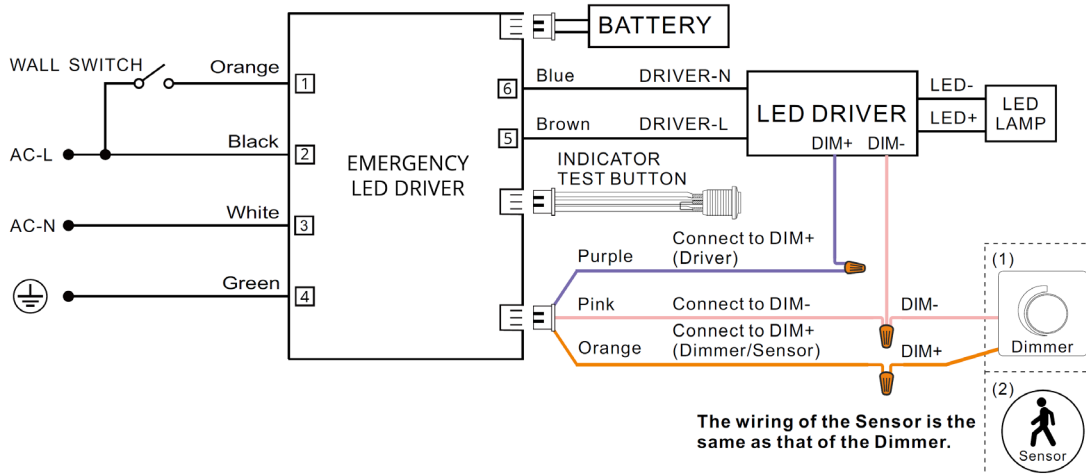
CONTROL-AVI-LVFA



SENSOR-819-O
SENSOR-819-D
SENSOR-BLE-819

EMB SPEC

Model	Compatible Fixture	Battery Capacity	Input	Output	Output Power	Operating Temp	Installation
EMB-8W-B	CPQ	90mins	100-347VAC	170VDC	8W	0°C ~ 50°C 32°F ~ 122°F	Factory or Field Install



CPQ SERIES GARAGE LIGHT

CONTROL-LVFA SPEC

Status LEDs & Config Button

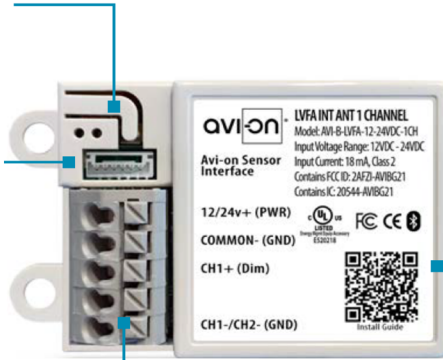
Quick and easy validation of wiring and network

Direct Connect™ Sensor Port

Simple and cost-effective addition to Avi-on sensors

Terminal Blocks & Mounting Tabs

Faster, easier and lower cost installation eliminating connectors



Internal Antenna

Improved performance and eliminates risk of accidentally cutting a hanging wire

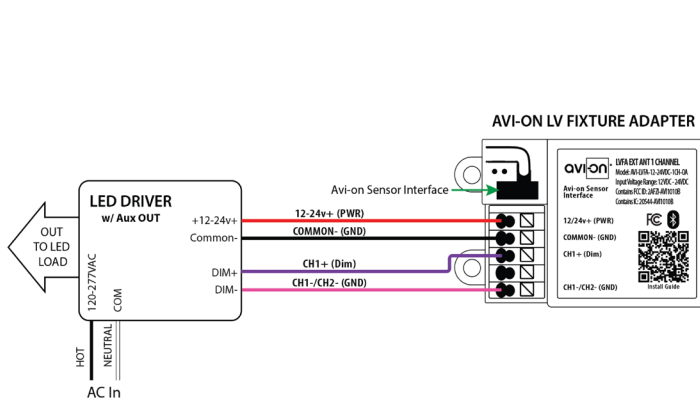
SPECIFICATIONS

INPUT VOLTAGE: 12-24VDC
CURRENT: 15mA without a Sensor
 19mA with a DC PIR Sensor
 48mA with a DC Microwave Sensor
0-10V DIMMING: 12-24VDC
SIZE: 2.30in x 1.43in x 0.75in
 (58.2mm x 36.4mm x 19mm)
MOUNTING: Removable mounting tabs
WEIGHT: 0.45 oz (16g)
OPERATING TEMP: -22°F to +158°F (-30°C to + 70°C)

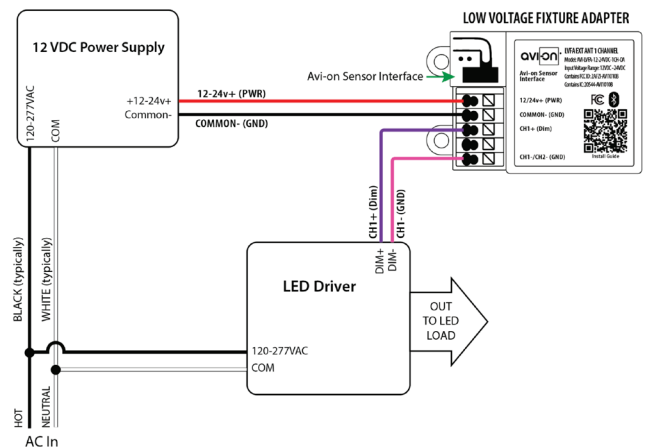
RADIO FREQUENCY: 2.4GHz
WIRELESS STANDARD: BLE 4.2 with Mesh
POINT TO POINT RANGE*: 80ft with obstructions
 350ft unobstructed
SECURITY: AES 128-bit encryption for device to device communication
 AES 256-bit encryption for device to cloud communication
WARRANTY: 5 years; 10 years optional
REGULATORY: FCC: 2AFZI-AVI1010 B
 IC: 20544-AVI1010 B
 BQB: D031801, DID: 86303
 UL 916, 2043 (Plenum Rated)

*When communicating through the mesh, range is essentially unlimited (5000ft+)

WIRING DIAGRAM



Fixture adapter powered by LED driver auxiliary output



Fixture adapter connected to LED driver and using power supply



SENSOR-BLE-819 BLUETOOTH PIR SENSOR

Client:
Project:
Type:
Quantity:

FEATURE

- **Installation:** Factory or Field Install End Mount to Fixture
- **Commissioning:** Wirelessly through ALS Control Mobile App (iOS / Android)
- **Certification:** DLC 5.1 Networked Lighting Control System
- **Control:** Hold time, High-Low setting, continuous Bi-level dimming, Code-compliant manual-on or auto-off capability
- **Sensor:** Motion (Occupancy/Vacancy/Manual) and Daylight Harvesting
- **Room and Zone Control:** Zoning and Grouping control, Scheduling

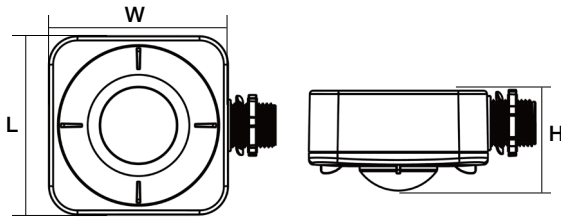


SPECIFICATIONS

SENSOR TYPE: Passive Infrared Sensor (PIR)
WIRELESS STANDARDS: Bluetooth SIG Mesh
INPUT VOLTAGE: 120/277VAC
CONTROL OUTPUT: 0-10V
OPERATING TEMP: -40°F ~ +167°F (-40°C ~ +75°C)

COMMISSIONING RANGE: 50FT
BLUETOOTH RANGE: Intergral antenna up to 100FT
DETECTION ANGLE: Vertical 90° x Horizontal 360°
MOUNTING HEIGHT: 8 - 40FT
WARRANTY: 5 years
IP RATING: IP20 Damp

DIMENSIONS



L	W	H
3.19" (81mm)	4.02" (102mm)	1.70" (43.3mm)

COVERAGE PATTERNS

