



WP SERIES WALL MOUNT

Client:
Project:
Type:
Quantity:

CONSTRUCTION

Rugged cast aluminum back housing for rigid mounting.

OPTICS

Full polycarbonate UV resistant front lens provides impact resistance and efficient spread of forward and lateral light coverage.

Light engines are available in standard 3000K, 4000K, and 5000K (70 CRI) configurations.

Stock CCT: 4000K, 5000K



ELECTRICAL

Long-life LEDs, coupled with a high-efficiency driver, provide superior illumination for extended service life. Greater than 70% LED lumen maintenance at 50,000 hours.

Driver operates at 120-277V input, >.9 power factor, 50/60Hz, <20% THD.

-40°C up to 40°C (-40°F up to 113°F) maximum operating temperature.

Built-in photocontrol as standard.



MOUNTING

Bottom 1/2" conduit knockout for surface conduit wiring. Back hub allows access to recessed wiring boxes. Two point mounting. Additional center-pin torx screws provided for tamper-resistant applications

STANDARD FINISH

Corrosion resistant Dark Bronze powder coating finish.

CUSTOM FINISH

Corrosion resistant Black, Graphite Metallic, Gray, Silver, and White, or custom RAL#

SHIPPING DATA

Product	Measurement	Weight
WP-17	9"L x 6"W x 4"H	3 lb
WP-25	9"L x 6"W x 4"H	3 lb

CERTIFICATION

Wet Location listed.

Meets Buy America Act requirements.

Title 24 compliant; see local ordinance for qualification information.

All luminaires are built to UL1598 standards and bear appropriate cULus labels.

DLC® Premium (DesignLights Consortium Qualified)

WARRANTY

5 year warranty, see Limited Warranty for additional information.



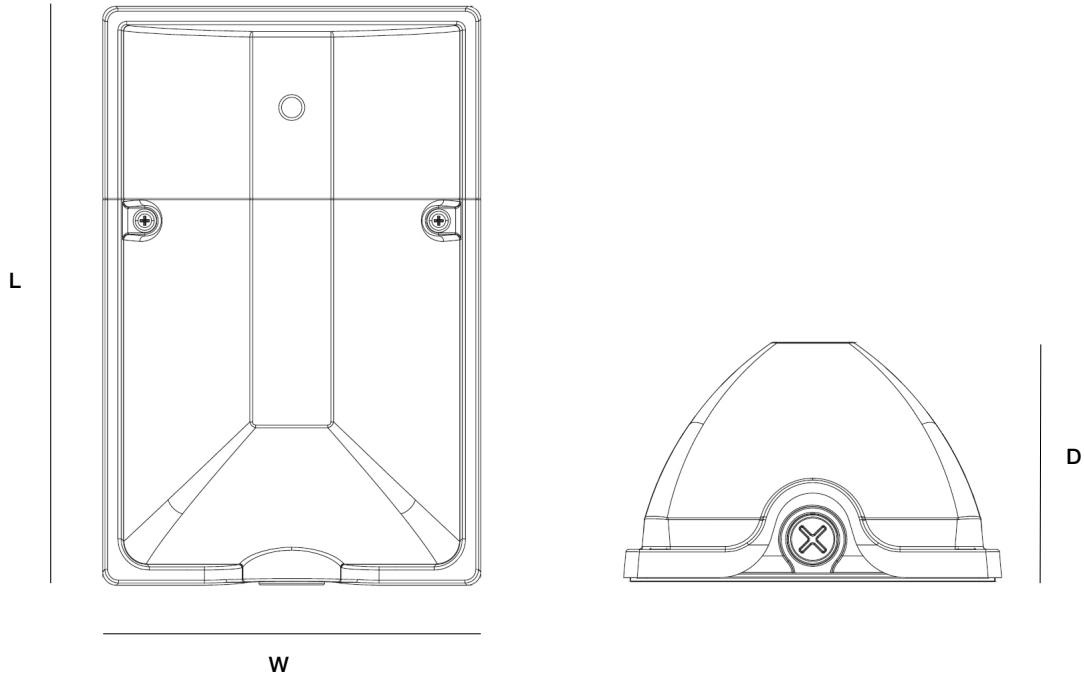
WP SERIES WALL MOUNT

ORDER INFORMATION				EXAMPLE: WP 17 50 NC DB U P			
Fixture	Series	Power & LM	CCT	Distribution	Finish	Input	Sensor
	WP			NC		U	P
A SERIES							
WP	Wall Pack						
B POWER & LM							
Code	Power	LM					
17	17W	1700lm					
25	25W	2200lm					
C CCT							
40	4000K						
50	5000K						
D DISTRIBUTION							
NC	Non Cutoff						
E FINISH							
Standard							
DB	Dark Bronze						
Custom Color							
CC	BK	Black	GM	Graphite Metallic	GR	Gray	
	SV	Silver	WH	White	RAL#		
F INPUT							
U	110-277V						
G SENSOR							
P	Photocell						
	*see page 5 for spec						
H ACCESSORIES/OPTIONS							
AIA	Assembled in America, compliant with BAA (COTS)						

WP SERIES WALL MOUNT

DIMENSIONS

Model	L	W	D
WP-17/WP-25	8.38" (213mm)	5.48" (139mm)	3.52" (90mm)



WP SERIES WALL MOUNT

PERFORMANCE DATA

SYSTEM WATTS	VOLTAGE	3000K		4000K		5000K	
		LUMENS	LPW	LUMENS	LPW	LUMENS	LPW
17W	120-277V	1800	106	1900	112	1950	115
25W	120-277V	2500	100	2550	102	2600	104

DLC CODE

Part Number	DLC Part Number	DLC Class
WP - 17 40 NC - DB U - P	KOMEE: KMWP-17-40-NC-C-BZ-U, Product ID: PY75MSBE	Standard
WP - 17 50 NC - DB U - P	KOMEE: KMWP-17-50-NC-C-BZ-U, Product ID: PEQPQR96	Standard
WP - 25 40 NC - DB U - P	KOMEE: KMWP-25-40-NC-C-BZ-U, Product ID: PG3BA42H	Standard
WP - 25 50 NC - DB U - P	KOMEE: KMWP-25-50-NC-C-BZ-U, Product ID: PEBRAF67	Standard

WP SERIES WALL MOUNT

SENSOR SPEC

Model	Type	Mounting	Coverage	Input	Function	Programmable
SENSOR-PH-PB-U	-	-	-	Universal	Dusk-to-Dawn Control	-



SENSOR-PH-PB-U