



WPE SERIES WALL MOUNT EGRESS

Client:
Project:
Type:
Quantity:

CONSTRUCTION

Architectural style wall pack, modern design, die-cast aluminum housing provides excellent thermal management.
Integral battery ideal for wall mount egress lighting.

OPTICS

Prismatic polycarbonate reflector.
Light engines available in 5000K (70+ CRI).

ELECTRICAL

70+ CRI LED.
956lm under AC mode, 433lm under Emergency Battery mode.
0°C up to 50°C (32°F up to 122°F) maximum operating temperature.
>54,000 hr LED at L70.
Driver operates at 120-277V input, 50/60Hz, <20% THD, 0.9 power factor.
4.8V 1800mAh Nickel Cadmium Battery, Backup time greater than 90mins.
Internal solid-state transfer switch automatically connects the internal battery to LED board for minimum 90-minute emergency illumination.
Fully automatic solid-state, two-rate charger initiates battery charging to recharge a discharged battery in 24 hours.
Integral photocontrol included.

MOUNTING

Surface mount via back plate that fits most standard size junction boxes.
Conduit mount via rigid conduit entry provision on top of the unit.

STANDARD FINISH

Corrosion resistant Dark Bronze powder coating finish.

CUSTOM FINISH

Corrosion resistant Black, Graphite Metallic, Gray, Silver, and White, or custom RAL#.

CERTIFICATION

Wet Location Listed.
Meets Buy America Act requirements.
All luminaires are built to UL1598 standards and bear appropriate cULus labels.
For Emergency application, equipped with UL924 certified battery packs.
DLC® Premium (DesignLights Consortium Qualified)

WARRANTY

5 year warranty, see Limited Warranty for additional information.



SHIPPING DATA

Product	Measurement	Weight
WPE-12	11”L x 7”W x 6”H	4 lb



WPE SERIES WALL MOUNT EGRESS

ORDER INFORMATION				EXAMPLE: WPE 12 50 DB U P EM	
Fixture	Series	Power & LM	CCT	Finish	Input
	WPE	12	50	DB	U P EM
Options					

A SERIES

WPE Wall Mount Egress

B POWER & LM

Code	Power	Lumen	LM/W
12	12W	956lm	80

C CCT

50 5000K

D FINISH

Standard

DB Dark Bronze

Custom Color

CC	BK	Black	GM	Graphite Metallic	GR	Gray
	SV	Silver	WH	White	RAL#	

E INPUT

U-P-EM 110-277V w/ Integral Photocell & 8W Self-Diagnostic Emergency Battery
 *see page 4 for spec

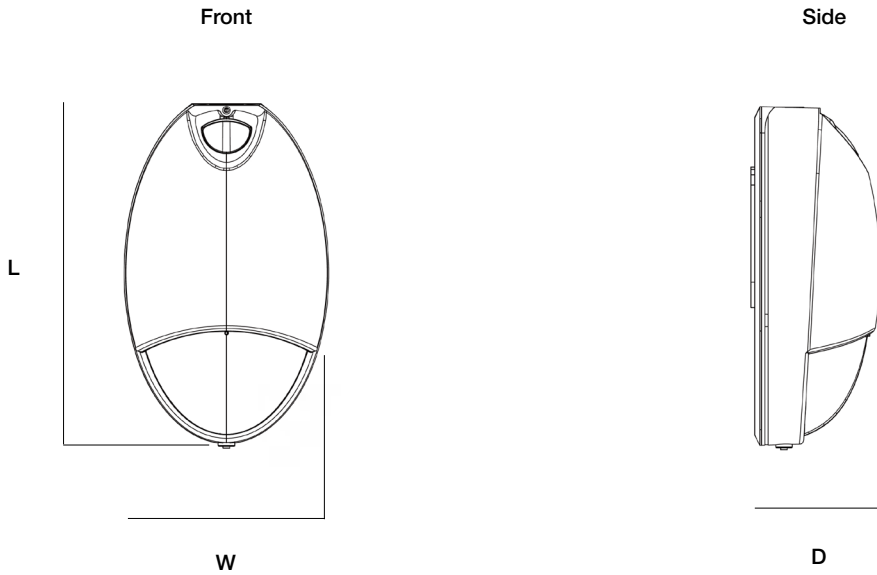
F OPTIONS

AIA Assembled in America, compliant with BAA (COTS)

WPE SERIES WALL MOUNT EGRESS

DIMENSIONS

Model	L	W	D
WPE-12	10.40" (265mm)	6.30" (160mm)	3.86" (98mm)



WPE SERIES WALL MOUNT EGRESS

SENSOR SPEC

Model	Type	Mounting	Coverage	Input	Function	Programmable
SENSOR-PH-PB-U	-	-	-	Universal	Dusk-to-Dawn Control	-



SENSOR-PH-PB-U

EMB SPEC

Model	Battery Capacity	Input	Output	Output Power	Operating Temp	Installation
EMB-8W-B	90mins	100-347VAC	170VDC	8W	0°C ~ 50°C 32°F ~ 122°F	Factory or Field Install

