

**CONTRACTOR SERIES AREA LIGHT**

Client:  
Project:  
Type:  
Quantity:

**CONSTRUCTION**

Rugged one-piece die-cast aluminum housing and polycarbonate lens for durability. Casting thermally conducts LED heat to optimize performance and lifespan. LED housing is hermetically sealed against moisture and contaminants.

**OPTICS**

UV-resistant polycarbonate optics, available in Type III distributions. Optics is precisely designed to shape the distribution, maximizing efficiency and application spacing.

**ELECTRICAL**

80+ CRI LED.  
-40°C up to 40°C (-40°F up to 104°F) maximum operating temperature.  
Long-life 100,000 hr LED at L70 @ 25°C.  
Selectable wattage from 80 ~ 300W; selectable CCT available from 3000K ~ 5000K.  
Driver operates at 120-277V input, 0-10V dimmable driver, down to 10%.  
Built-in photocell included.  
50/60Hz, <15% THD, 0.9 power factor.

**SENSORS (OPTIONAL)**

SENSOR-ANT-6-4R Plug-N-Play PIR on/off/dimming/photosensing.

**MOUNTING**

Adjustable square / round pole mount bracket (SRT).  
Optional adjustable slipfitter (SF) for 2-3/8" tenon.  
Optional yoke mount bracket (YM) for surface mount.

**STANDARD FINISH**

Dark Bronze powder coating finish.

**CERTIFICATION**

Wet location label standard.  
All luminaires are built to UL1598 standards and bear appropriate cULus labels.

**WARRANTY**

5 year warranty, see Limited Warranty for additional information.



CSA-200



CSA-300



**CONTRACTOR SERIES AREA LIGHT**

ORDER INFORMATION			EXAMPLE: CSA 200SC T3 DB UNVD-P		
Fixture	Series	Power & LM	Distribution	Finish	Input
	<b>CSA</b>		<b>T3</b>		<b>UNVD-P</b>
Mounting			Accessories Option		

**A SERIES**

**CSA** Contractor Series - Area Light

**B POWER & LM**

Code	Power	CCT	LM
<b>200SC</b>	Field Selectable 80 / 120 / 160 / 200W	Field Selectable 3000K / 4000K / 5000K	13,200 ~ 30,000lm
<b>300SC</b>	Field Selectable 120 / 180 / 240 / 300W	Field Selectable 3000K / 4000K / 5000K	19,560 ~ 44,000lm

**C DISTRIBUTION**

**T3** Type III

**D FINISH**

**DB** Dark Bronze  
**BK** Black  
**WH** White

**E INPUT**

**UNVD-P** 120-277V, 0-10V Dimming with Photocell

**F MOUNTING**

**MOUNT-CSA-SF** Adjustable Slipfitter Bracket for 2-3/8" Tenon  
**MOUNT-CSA-SRT** Tilttable Square and Round Pole Bracket  
**MOUNT-CSA-YM** Adjustable Yoke Mount Bracket

**G ACCESSORIES/OPTIONS**

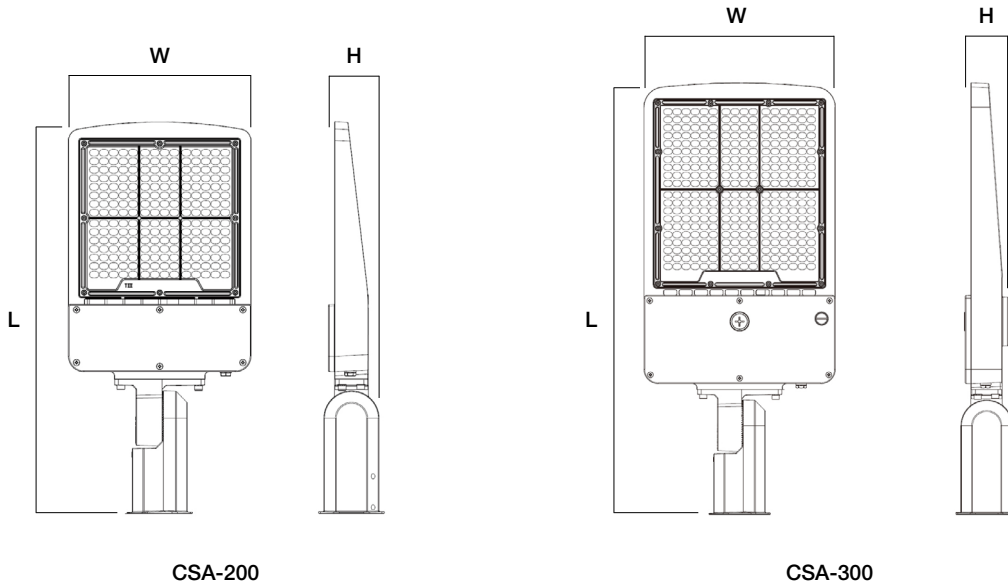
**SENSOR-ANT-6-4R\*** Plug-N-Play PIR On/Off/Dimming/Photosensing  
**REMOTE-RC100\*** Handheld Remote Commissioning Tool for SENSOR-ANT / SENSOR-BLE (1 per job)

\*see page 5 for sensor spec.

**CONTRACTOR SERIES AREA LIGHT**

**DIMENSIONS**

Model	L	W	H
CSA-200	19.86" (505mm)	9.25" (235mm)	2" (51mm)
CSA-300	23.48" (597mm)	10.39" (264mm)	2.36" (60mm)



**EPA (ft<sup>2</sup>)**

Mounting Option	Single	2 @ 90°	2 @ 120°	2 @ 180°	3 @ 90°	3 @ 120°	4 @ 90°
200W	0.253	0.459	0.562	0.506	0.712	0.768	0.712
300W	0.309	0.532	0.658	0.618	0.841	0.881	0.841

**CONTRACTOR SERIES AREA LIGHT**

**PERFORMANCE DATA**

MODEL	SYSTEM WATTS	VOLTAGE	LUMENS	EFFICACY
CSA-200	80W	120-277V	13200	165
	120W	120-277V	19200	160
	160W	120-277V	24800	155
	200W	120-277V	30000	150
CSA-300	120W	120-277V	19560	163
	180W	120-277V	28440	158
	240W	120-277V	36700	153
	300W	120-277V	44400	148

**CONTRACTOR SERIES AREA LIGHT**

**SENSOR SPEC**

Model	Type	Mounting	Coverage	Input	Function	Programmable
Integrated Photocell	-	-	-	Universal 120-270V	Dusk-to-Dawn Control	-
SENSOR-ANT-6-4R (see page 6 for detail)	PIR	up to 40FT	30FT radius	12V DC ~ 24 V DC	On/Off/Dimming	REMOTE-RC100



Integrated Photocell



SENSOR-ANT-6-4R

**FEATURE**

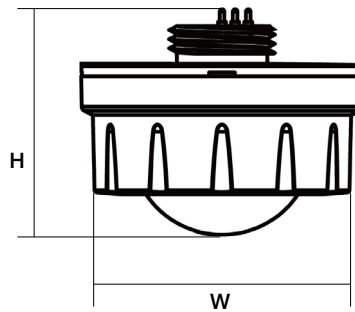
- **Installation:** Plug-N-Play via AUX Socket on Attached Fixture
- **Commissioning:** through RC100 Remote Control
- **Control:** Hold time, High-Low setting, Continuous Bi-Level Dimming, Code-Compliant Manual-On or Auto-Off Capability
- **Sensor:** Motion (Occupancy/Vacancy/Manual) and Daylight Harvesting
- **Factory Default:** 100% Sensitivity / Hold on Time: 5mins / Daylight Sensor is ✨ / Dimming Level: 30% / Dimming Time: 60mins



**SPECIFICATIONS**

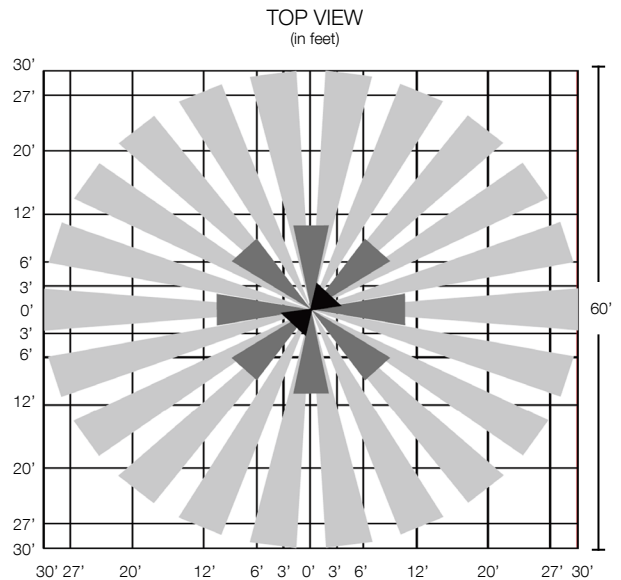
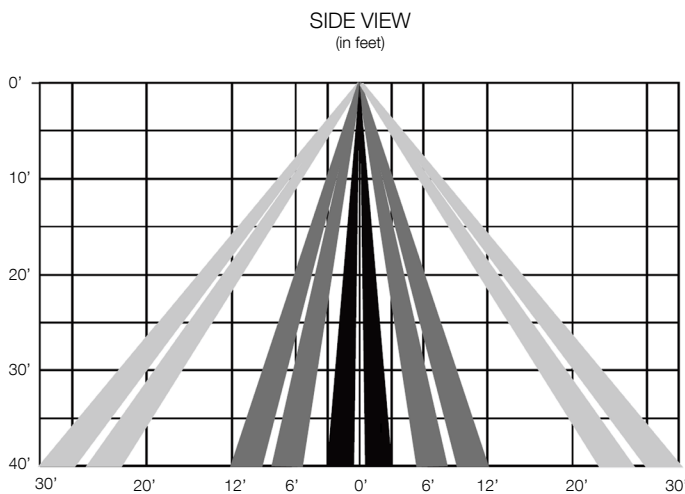
<b>SENSOR TYPE:</b>	Passive Infrared Sensor (PIR)
<b>STANDARD OPTION:</b>	SENSOR-ANT-6-4R
<b>INPUT VOLTAGE:</b>	12-24VDC, >30mA
<b>LIGHT CONTROL:</b>	24H / 10 ~ 50LUX
<b>CONTROL OUTPUT:</b>	0-10V
<b>OPERATING TEMP:</b>	-4°F ~ +140°F (-20°C ~ +60°C)
<b>COMMISSIONING RANGE:</b>	50FT from Remote Control
<b>TIME SETTING:</b>	10sec ~ 60min (adjustable)
<b>DETECTION ANGLE:</b>	360°
<b>MOUNTING HEIGHT:</b>	Up to 40FT.
<b>WARRANTY:</b>	5 years
<b>IP RATING:</b>	IP65

**DIMENSIONS**



H	W
1.76" (44.7mm)	2.15" (54.5mm)

**COVERAGE PATTERNS**



**ORDER CODES**

**SENSOR-ANT-6-4R** Plug-N-Play PIR On/Off/Dimming/Photosensing



**FEATURE**

The Remote control wireless IR configuration tool is a handheld tool for remote configuration of IR-enabled fixture integrated sensors. The tool enables device to modify via push button and stores up to four sensor parameter modes to speed configuration of multiple sensors.

	PROGRAMMABLE	RESET
<b>COMPATIBLE SENSORS</b>	SENSOR-ANT-6-4R SENSOR-ANT-6-4T SENSOR-ANT-6-4T-EM SENSOR-ANT-6-4T-H SENSOR-ANT-6-4T-H-EM SENSOR-ANT-7 SENSOR-ANT-3C-B1 SENSOR-819-D1/D2 SENSOR-823 SENSOR-820	SENSOR-BLE-6-4T SENSOR-BLE-7 SENSOR-BLE-7D SENSOR-BLE-819 SENSOR-BLE-619 CONTROL-BLE-5-4T WALLSWITCH-BLE-101 WALLSWITCH-BLE-204



**Dimension**

L - 4.84" (123mm)  
W - 2.76" (70mm)  
H - .80" (20.3mm) Thickness

**SPECIFICATION**

**Carrying Case**

RC-100 in Carrying Case

**Commissioning Range**

Up to 50FT (15mm)

**Operating Temp**

32F ~ 122F (0°C ~ 50°C)

**Power**

2 x AAA 1.5V Alkaline batteries

**BRIGHTNESS**

Set output level (in 70%, 80%, 90%, or 100%) of connected lighting during occupancy.

**SENSITIVITY**

Set the sensitivity (in 20%, 50%, 75%, or 100%) of the occupancy sensor.

**HOLD TIME**

Set the time (in 10s, 1m, 5m, 10m, 16m, 20m, 30m, or 60m) that the fixture will hold at normal output after the space is vacant.

**DAYLIGHT SENSOR**

Set the threshold of natural light (in 10, 30, or 50) as setpoint to light on automatically for the sensor. If natural light is above the selected threshold, fixture will shut off. Set daylight (in 100, 300, 500) as setpoint to light off.

**STAND-BY DIM/TIME**

**DIM:** Set the output level (in 0%, 10%, 30%, or 50%) of the fixture during vacancy. This will only take place after Hold Time has elapsed.

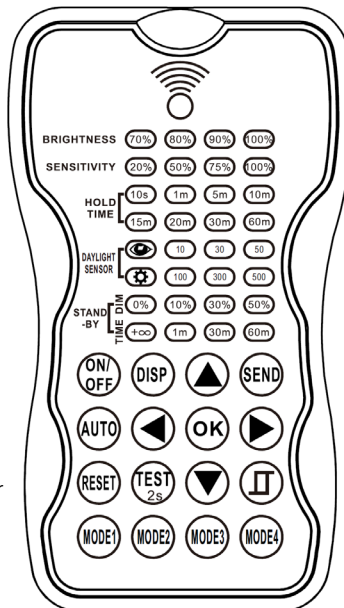
**TIME:** Set the time (+∞, 1m, 30m, or 50m) that the sensor will remain in stand-by mode before powering down.

**ON/OFF**

Use this to manually power a fixture on or off.

**AUTO**

Press Auto to engage/unlock a sensor. Press Auto, then press Display to show the sensors current setting parameters.



**DISPLAY**

Press to Display to view current setting parameters for each function. LED indicators will highlight current settings.

**DIRECTIONAL ARROWS**

Use the arrows to navigate the setting options by pressing up/down or left/right.

**SEND**

Press Send to upload displayed settings to individual sensor/fixture. The fixture will blink on and off to confirm new settings.

**SMART DAYLIGHT SENSOR**

Open and or close smart daylight sensor. Press up/down arrows buttons to enter setting condition, the parameters LEDs of remote control will flash to be selected.

**TEST**

Used to test sensitivity of occupancy sensing. Press Test, then the fixture will enter Test Mode, where Hold Time is only 2s. While Test Mode is active, Stand-By and Daylight sensing will be disabled. Press Auto to exit Test Mode.

**RESET**

Press Reset to put all parameters back to default settings.

**MODE**

Press the Mode # that you want to save. Use Directional Arrows to select new parameters. Press OK to confirm.